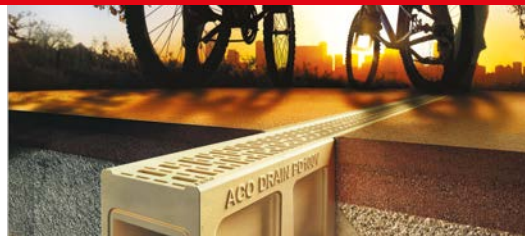


## Line drainage



### *Monocast channels*

**ACO DRAIN® Monoblock PD**

**ACO DRAIN® Monoblock RD**



# Contents

New color of channels	5
-----------------------	---

## ACO DRAIN® Monoblock PD

System diagram	6		
Clear width	6		
Major components of the system	6		
System benefits	6		
<b>TYPICAL APPLICATIONS</b>	7		
Sample installation manuals and completed projects	8		
Technical data sheets	10		
	Clear width	Maximum load class	
PD 100 V	100	D 400	10
PD 150 V	<b>New</b> 150	D 400	12
PD 200 V	00	D 400	14

## ACO DRAIN® Monoblock RD

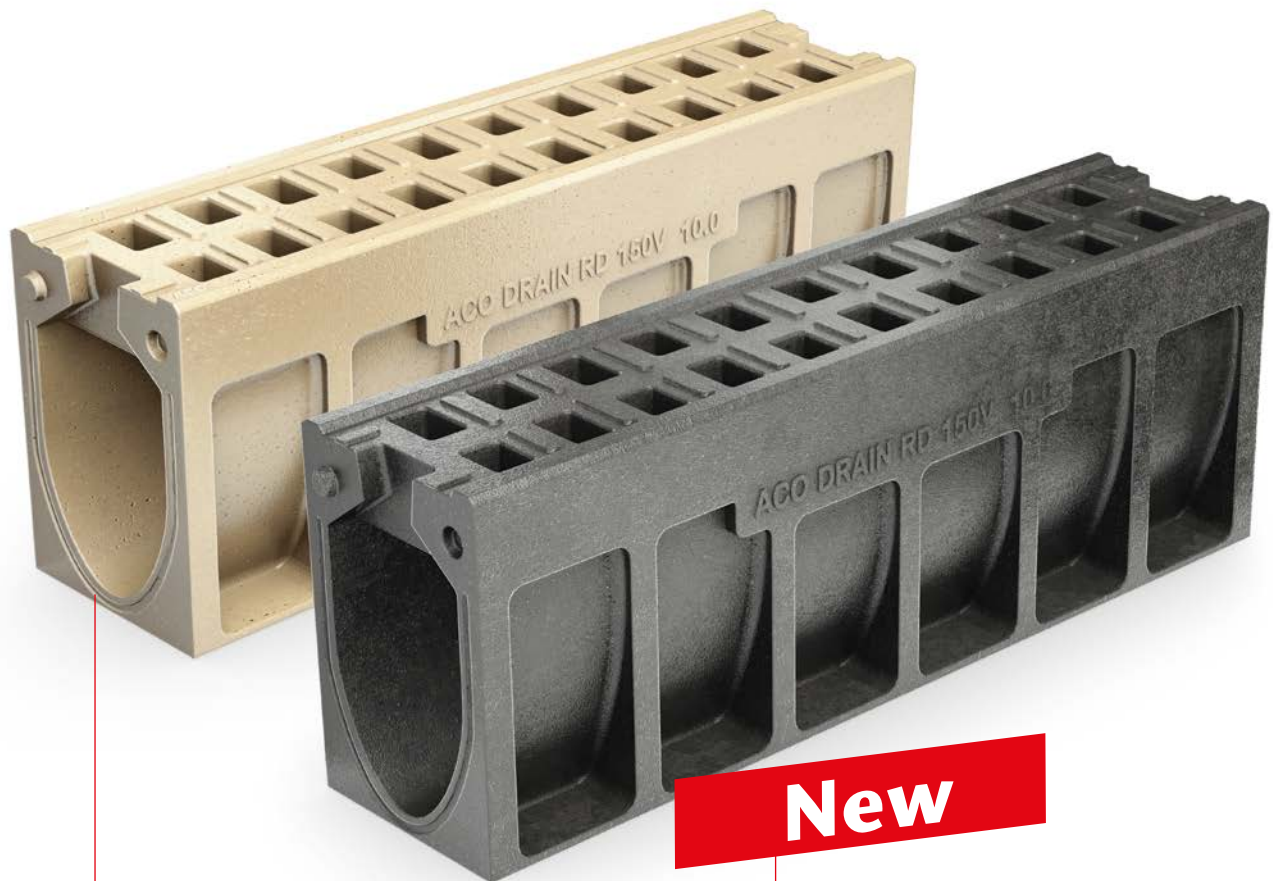
System diagram	16		
Clear width	16		
Major components of the system	16		
System benefits	16		
<b>TYPICAL APPLICATIONS</b>	17		
Sample installation manuals and completed projects	18		
Technical data sheets	20		
	Clear width	Maximum load class	
RD 100 V	100	F 900	20
RD 150 V	150	F 900	22
RD 200 V	200 (new type)	F 900	26
RD 200 V	200	F 900	28
RD 300	300	F 900	31
Accessories			34

## MONOCAST CHANNELS

TECHNICAL DETAILS

[www.aco.com](http://www.aco.com)

**ACO Drain® Monoblock PD 100V, 150 V, 200 V**  
**ACO Drain® Monoblock RD 100V, 150 V, 200 V, 300**



### Natural channels

- match the color of concrete surfaces

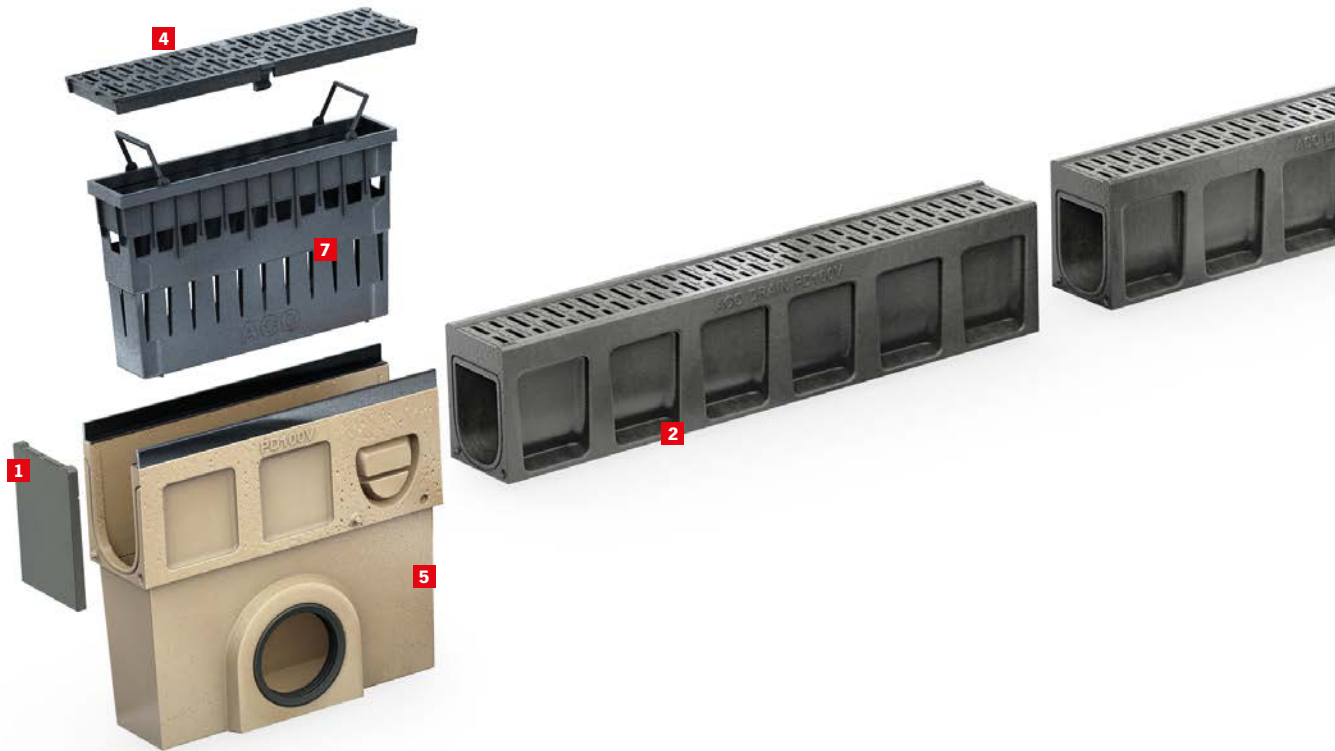
### Anthracite channels

- perfectly match asphalt surfaces



## ACO Drain® Monoblock PD 100V, 150V, 200V

Clear width [mm]: 100, 150, 200



### Components of the system

#### Channels

**Load class:** D400  
**Material:** natural or anthracite polymer concrete  
**Type of channel:** without integrated gradient  
**Channel connection:** unisex

#### Gratings

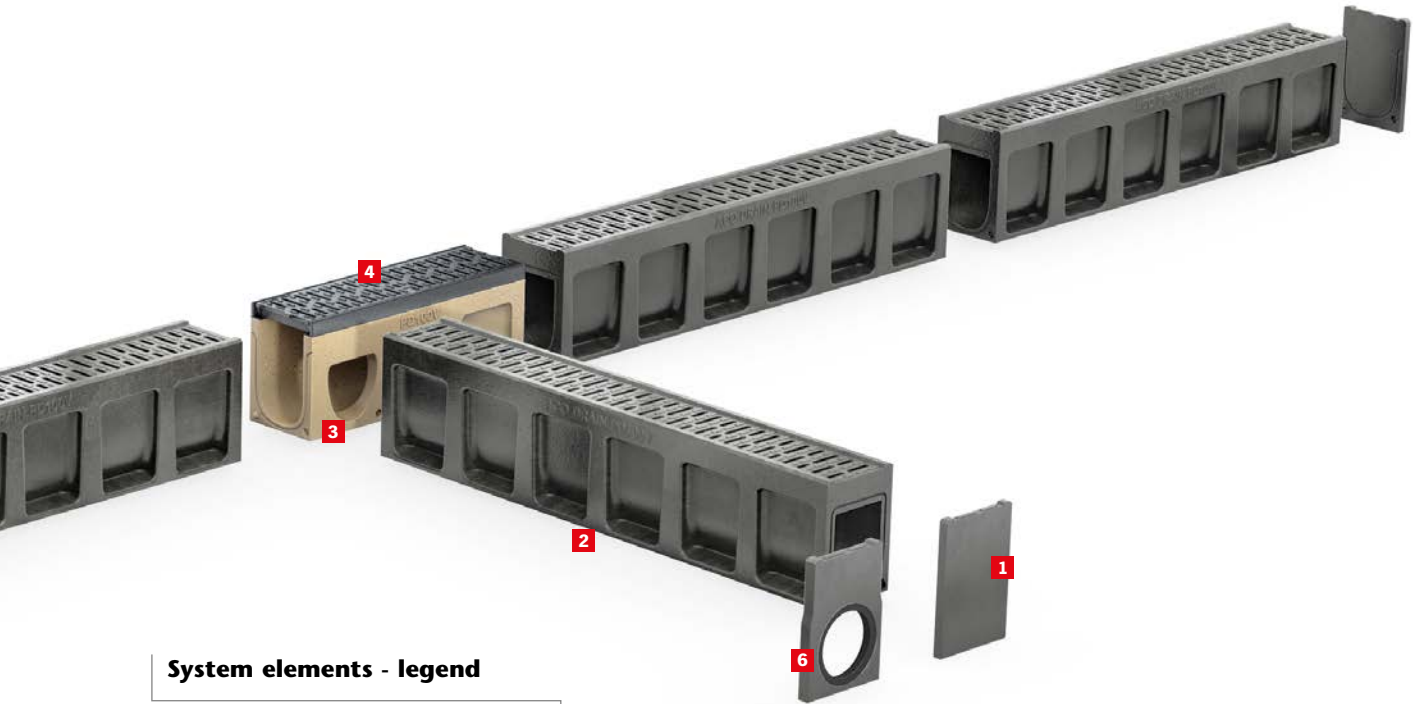
**Material:** monocast channel design (trench body + grating), Inspection elements with a grating (Drainlock® locking device)

#### Sump units

**Load class:** D 400  
**Material:** Polymer concrete  
**Version:** One-piece design made of polymer concrete with a grating (Drainlock® locking device)

### System benefits

- A narrow inflow slot of the grating (8 mm for PD 100V, 12 mm for PD 150V and 15 mm for PD 200V) allows for application of this system **at intersections of footpaths with roads.**
- The monocast design **prevents faulting and theft of the grating.**
- The side structure of the trench (anchoring pockets) and a fully monolithic design allows for a **quick and easy installation.**
- Additional sealing compounds may be applied to the system to provide complete watertightness, if required.
- The V profile of the channel allows to achieve the **self-cleaning effect** even in case of small drainage areas (narrow and short sections of the line drainage system).



**System elements - legend**

- 1 End cap
- 2 Channel
- 3 Access unit
- 4 Grating
- 5 Sump unit
- 6 End cap with gasket
- 7 Silt basket

**Typical applications**



- outdoor car parks
- cycle tracks and sidewalks
- hotels,
- shopping malls,
- home and garden areas,
- sport facilities,
- schoolyards,
- train platforms.



A narrow inflow slot of the grating allows for application of this system **at intersections of footpaths with roads.**

## Line drainage



**New**

## ACO Drain® Monoblock PD 100V line drainage system

TECHNICAL DETAILS

[www.aco.com](http://www.aco.com)

Monocast polymer concrete channel anthracite or natural  
 V cross-section  
 Clear width 10.0 cm  
 Maximum load class D 400, compliant with EN 1433:2005

Type	Length cm	Width cm	Height cm	Inlet area cm <sup>2</sup> /m	Weight kg	Units per pallet	Part no.		
							anthracite mix	anthracite	natural

### Channel

made of polymer concrete, anthracite or natural

0.0	100,0	15,0	23,0	202	32,8	25	10722M	10722	10832
-----	-------	------	------	-----	------	----	--------	-------	-------

### Access unit

made of polymer concrete, natural, load class D 400, with cast-iron grating and edge rails

0.1 <sup>2)</sup> 3)	50,0	15,0	24,0	371	14,0	10	10836		
0.2 <sup>2)</sup> 1)	50,0	15,0	24,0	371	14,0	10	10835		

### Sump unit

made of polymer concrete, elements:  
 cast-iron grating and edge rails, plastic silt basket

Outlet Ø 110	50,0	15,0	50,0	371	31,3	-	10837		
Outlet Ø 160	50,0	15,0	50,0	371	31,5	-	10838		

### End cap

made of polymer concrete, anthracite or natural, for the beginning and end of the channel

End cap	2,0	15,0	23,0	-	1,4	25	10723	10833	
---------	-----	------	------	---	-----	----	-------	-------	--

### End cap with gasket

made of polymer concrete, anthracite or natural, for the end of the channel, with gasket Ø 110

End cap with gasket	2,5	15,0	23,0	-	1,2	6	10724	10834	
------------------------	-----	------	------	---	-----	---	-------	-------	--

<sup>1)</sup> With an outlet Ø 110 in the bottom, with a lip labyrinth gasket for a watertight vertical connection to the sewerage.

<sup>2)</sup> With side furrows to make angle joints, T-joints and cross-joints.

<sup>3)</sup> With furrows in the bottom, to make a vertical opening for the Ø 110 outlet.



Monoblock PD 100V channel, 1.0 m anthracite slot 8 mm



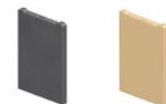
Monoblock PD 100V channel, 1.0 m natural slot 8 mm



Monoblock PD 100V access unit



Monoblock PD 100V sump unit



Monoblock PD 100V end cap



Monoblock PD 100V end cap with gasket

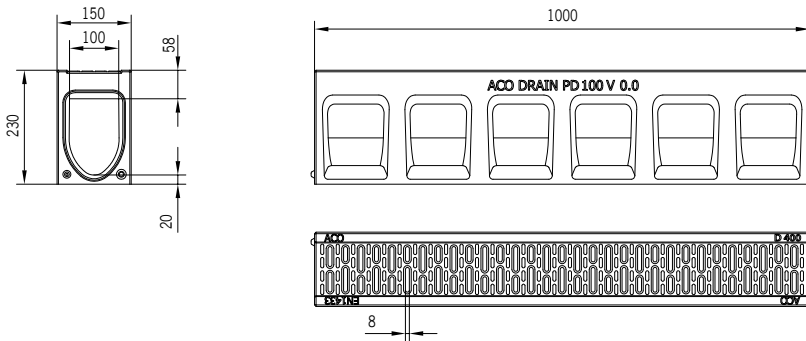
**New**

**ACO Drain® Monoblock PD 100V line drainage system**

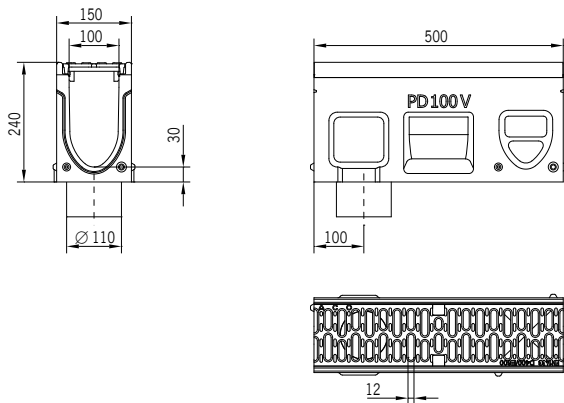
TECHNICAL DETAILS

[www.aco.com](http://www.aco.com)

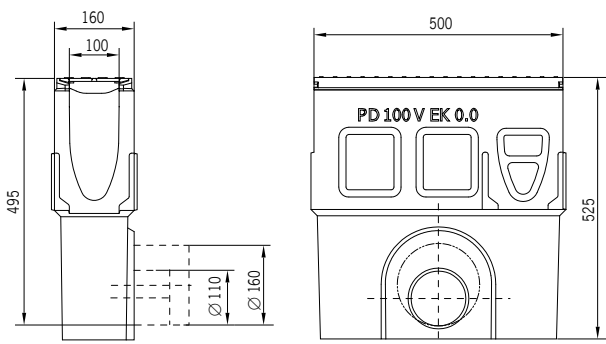
Monocast polymer concrete channel anthracite or natural  
 V cross-section  
 Clear width 10.0 cm  
 Maximum load class D 400, compliant with EN 1433:2005



Channel size  
 ACO Drain® Monoblock PD 100V, 1.0 m



Size of the access unit  
 ACO Drain® Monoblock PD 100V



Size of the sump unit  
 ACO Drain® Monoblock PD 100V

Monoblock PD

Monoblock RD

## Line drainage



**New**

## ACO Drain® Monoblock PD 150V line drainage system

TECHNICAL DETAILS

[www.aco.com](http://www.aco.com)

Monocast polymer concrete channel anthracite or natural  
 V cross-section  
 Clear width 15.0 cm  
 Maximum load class D 400, compliant with EN 1433:2005

Type	Length	Width	Height	Inlet area	Weight	Part no.		
	cm	cm	cm	cm <sup>2</sup> /m	kg	anthracite mix	anthracite	natural

### Channel

made of polymer concrete, anthracite or natural

0.0	100	20	27	296	53,8	413136M	413136	416986
-----	-----	----	----	-----	------	---------	--------	--------



Monoblock PD 150V channel, 1.0 m anthracite, slot 12 mm

### Access unit

made of polymer concrete, natural, load class D 400, with cast-iron grating and edge rails

0.1 <sup>2) 3)</sup>	50	20	28	578	28,4		416989	
0.2 <sup>2) 1)</sup>	50	20	28	578	29,1		416985	



Monoblock PD 150V channel, 1.0 m natural, slot 12 mm

### Sump unit

made of polymer concrete, elements:  
 cast-iron grating and edge rails, plastic silt basket

Outlet Ø 160	50	20	59,5	578	45,0		416990	
--------------	----	----	------	-----	------	--	--------	--



Monoblock PD 150V access unit

### End cap

made of polymer concrete, anthracite or natural, for the beginning and end of the channel

End cap	3,5	20	27	-	4,1	413137	416987	
---------	-----	----	----	---	-----	--------	--------	--

### End cap with gasket

made of polymer concrete, anthracite or natural, for the end of the channel, with gasket Ø 160

End cap with gasket	4	20	27	-	2,9	413138	416988	
---------------------	---	----	----	---	-----	--------	--------	--



Monoblock PD 150V sump unit



Monoblock PD 150V end cap



Monoblock PD 150V end cap with gasket

<sup>1)</sup> With an outlet Ø 110 in the bottom, with a lip labyrinth gasket for a watertight vertical connection to the sewerage.

<sup>2)</sup> With side furrows to make angle joints, T-joints and cross-joints.

<sup>3)</sup> With furrows in the bottom, to make a vertical opening for the Ø 160 outlet.

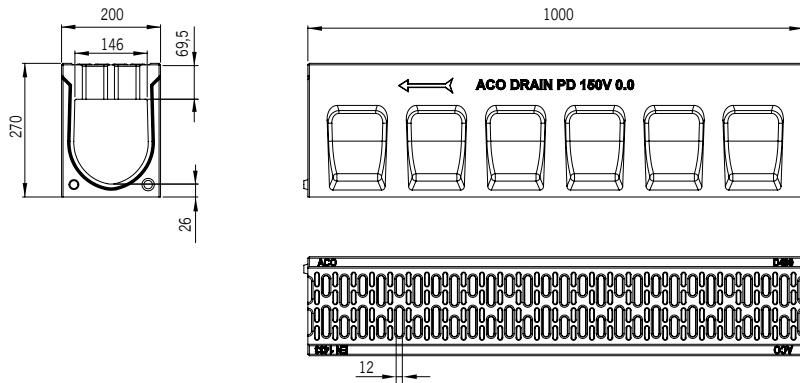


**New**

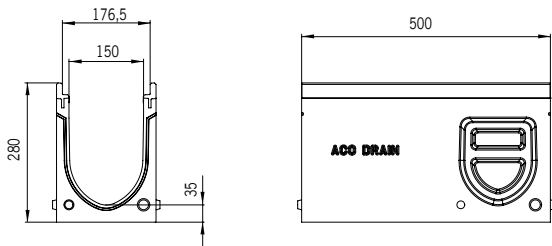
**ACO Drain® Monoblock PD 150V line drainage system**

TECHNICAL DETAILS  
[www.aco.com](http://www.aco.com)

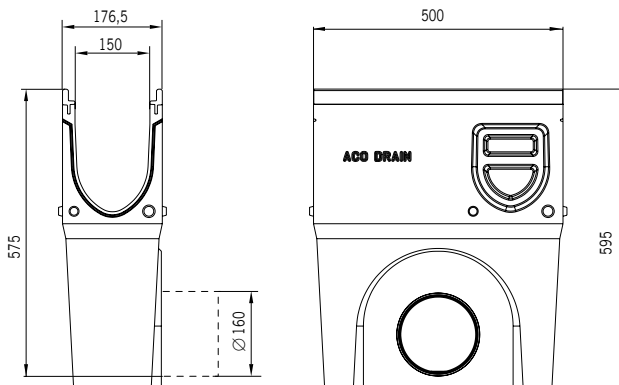
Monocast polymer concrete channel anthracite or natural  
 V cross-section  
 Clear width 15.0 cm  
 Maximum load class D 400, compliant with EN 1433:2005



Channel size  
 ACO Drain® Monoblock PD 150V, 1.0m



Size of the access unit  
 ACO Drain® Monoblock PD 150V



Size of the sump unit  
 ACO Drain® Monoblock PD 150V

Monoblock PD

Monoblock RD

## Line drainage



**New**

## ACO Drain® Monoblock PD 200V line drainage system

TECHNICAL DETAILS

[www.aco.com](http://www.aco.com)

Monocast polymer concrete channel anthracite or natural  
 V cross-section  
 Clear width 20.0 cm  
 Maximum load class D 400, compliant with EN 1433:2005

Type	Length	Width	Height	Inlet area	Weight	Part no.		
	cm	cm	cm	cm <sup>2</sup> /m	kg	anthracite mix	anthracite	natural

### Channel

made of polymer concrete, anthracite or natural

0.0	100,0	25,0	32,0	440	72,0	11041M	11041	10982
-----	-------	------	------	-----	------	--------	-------	-------

### Access unit

made of polymer concrete, natural, load class D 400, with cast-iron grating and edge rails

0.1 <sup>1)2)</sup>	50,0	25,0	33,0	740	38,5		10985	
---------------------	------	------	------	-----	------	--	-------	--

### Sump unit

made of polymer concrete<sup>1)2)</sup>, elements:  
 cast-iron grating and edge rails, plastic silt basket

Outlet Ø 160	50,0	25,0	64,5	740	60,0		10987	
Outlet Ø 200	50,0	25,0	64,5	740	60,0		303325	

### End cap

made of polymer concrete, anthracite or natural, for the beginning and end of the channel

End cap	4	25,0	32,0	-	6,2		11042	10983
---------	---	------	------	---	-----	--	-------	-------

### End cap with gasket

made of polymer concrete, anthracite or natural, for the end of the channel,  
 with gasket Ø 160

End cap with gasket	4	25,0	32,0	-	5,0		11043	10984
---------------------	---	------	------	---	-----	--	-------	-------

<sup>1)</sup> With side furrows to make angle joints, T-joints and cross-joints.

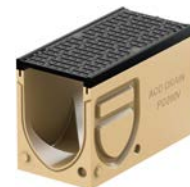
<sup>2)</sup> With furrows in the bottom, to make a vertical opening for the Ø 110 outlet.



Monoblock PD 200V channel, 1.0 m anthracite



Monoblock PD 200V channel, 1.0 m natural



Monoblock PD 200V access unit, natural



Monoblock PD 200V sump unit, natural



Monoblock PD 200V end cap



Monoblock PD 200V end cap with gasket

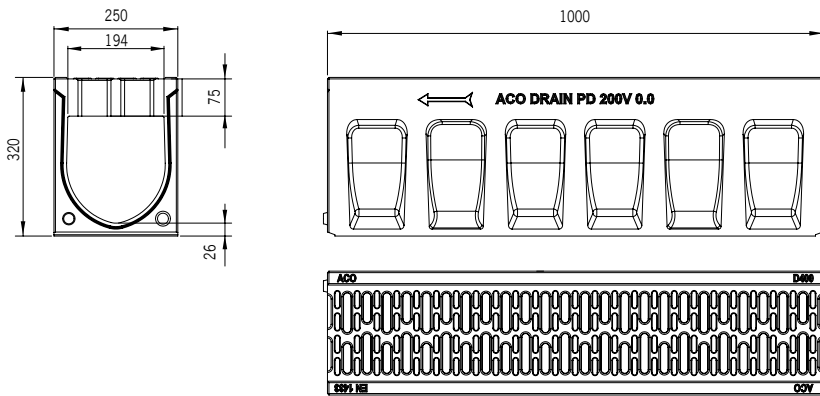
**New**

**ACO Drain® Monoblock PD 200V line drainage system**

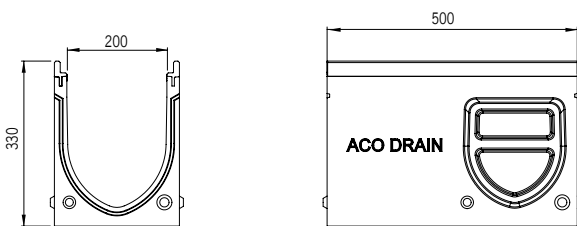
TECHNICAL DETAILS

[www.aco.com](http://www.aco.com)

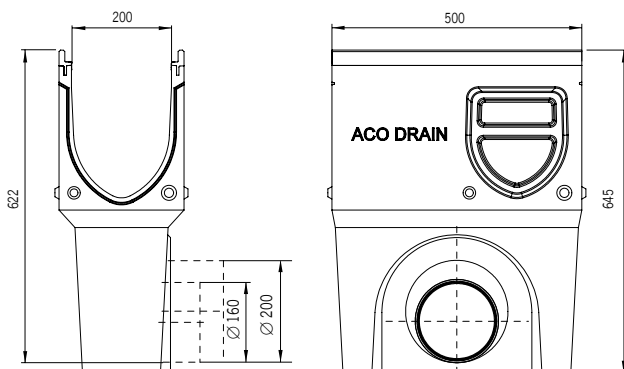
Monocast polymer concrete channel anthracite or natural  
 V cross-section  
 Clear width 20.0 cm  
 Maximum load class D 400, compliant with EN 1433:2005



Channel size  
 ACO Drain® Monoblock PD 200V, 1.0 m



Size of the access unit  
 ACO Drain® Monoblock PD 200V



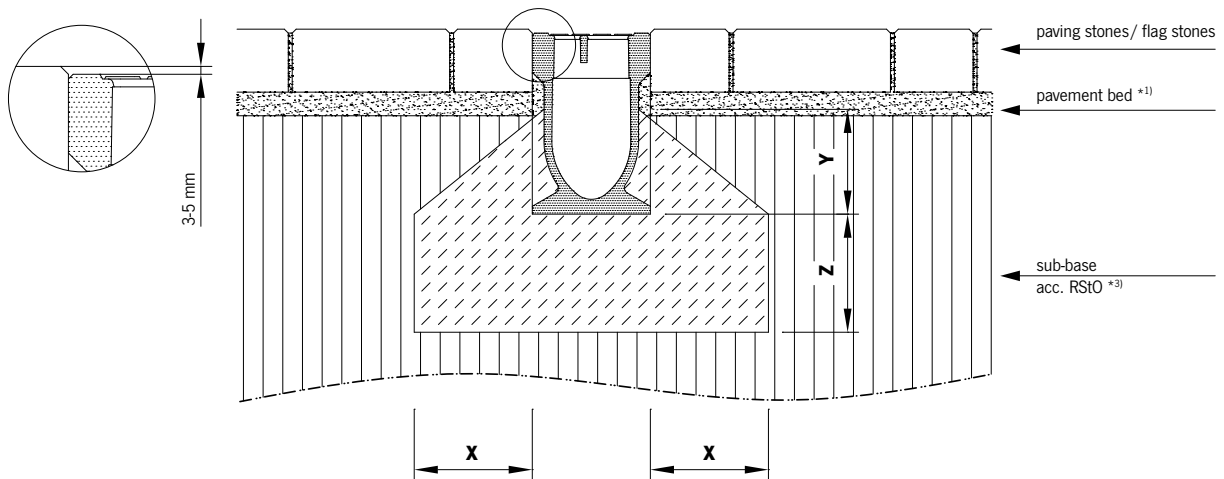
Size of the sump unit  
 ACO Drain® Monoblock PD 200V



**ACO Drain® Monoblock PD 100V / PD 150V / PD 200V**

TECHNICAL DETAILS  
[www.aco.com](http://www.aco.com)

**Installation in concrete pavement, class – A 15 through D 400**



\*..) see the list of subscripts in preliminary notes to our installation manual

Load class	(acc. DIN EN 1433)	<b>A 15</b>	<b>B 125</b>	<b>C 250</b>	<b>D 400</b>		
<b>Compressive strength class - foundation concrete</b>	(acc. DIN EN 206-1)	≥ C 12/15	≥ C 12/15	≥ C 20/25	object-specific		
<b>Exposure class - foundation concrete *16)</b>		(X0)	(X0)	(X0)	will be advised upon request		
<b>Foundation dimensions - Type: M (acc. DIN EN 1433)</b>	X [cm]	≥ 10	≥ 10	≥ 15			
	Y [cm]	≥ 10	≥ 10	≥ 10			
	Y [cm]	≥ 10	≥ 10	≥ 15			

Valid only in connection with general notes to our installation manual! Download from [www.aco-tiefbau.de](http://www.aco-tiefbau.de)

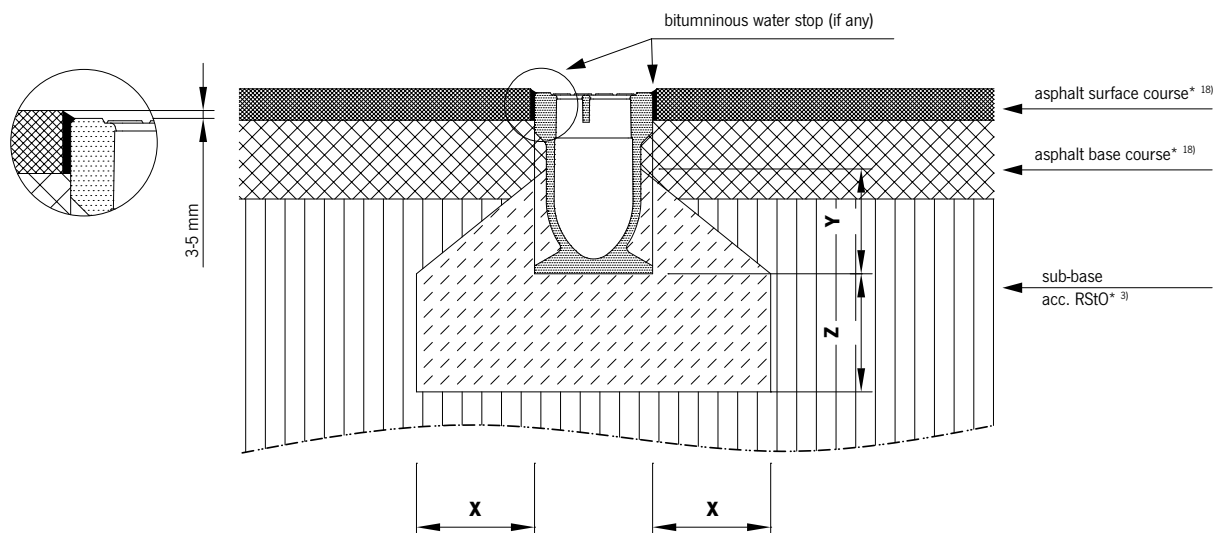
Drawing G1-E01-920-3, Version 12.09

# ACO Drain® Monoblock PD 100V / PD 150V / PD 200V

TECHNICAL DETAILS

[www.aco.com](http://www.aco.com)

## Installation in asphalt, class – A 15 through D 400



\*..) see the list of subscripts in preliminary notes to our installation manual

Load class	(acc. DIN EN 1433)	A 15	B 125	C 250	D 400		
Compressive strength class - foundation concrete	(acc. DIN EN 206-1)	≥ C 12/15	≥ C 12/15	≥ C 20/25	object-specific		
Exposure class - foundation concrete *16)		(X0)	(X0)	(X0)	will be advised upon request		
Foundation dimensions - Type: M (acc. DIN EN 1433)	X [cm]	≥ 10	≥ 10	≥ 15			
	Y [cm]	≥ 10	≥ 10	≥ 10			
	Y [cm]	≥ 10	≥ 10	≥ 15			

Valid only in connection with general notes to our installation manual! Download from [www.aco-tiefbau.de](http://www.aco-tiefbau.de)

Drawing G1-E01-921-3, Version 12.09

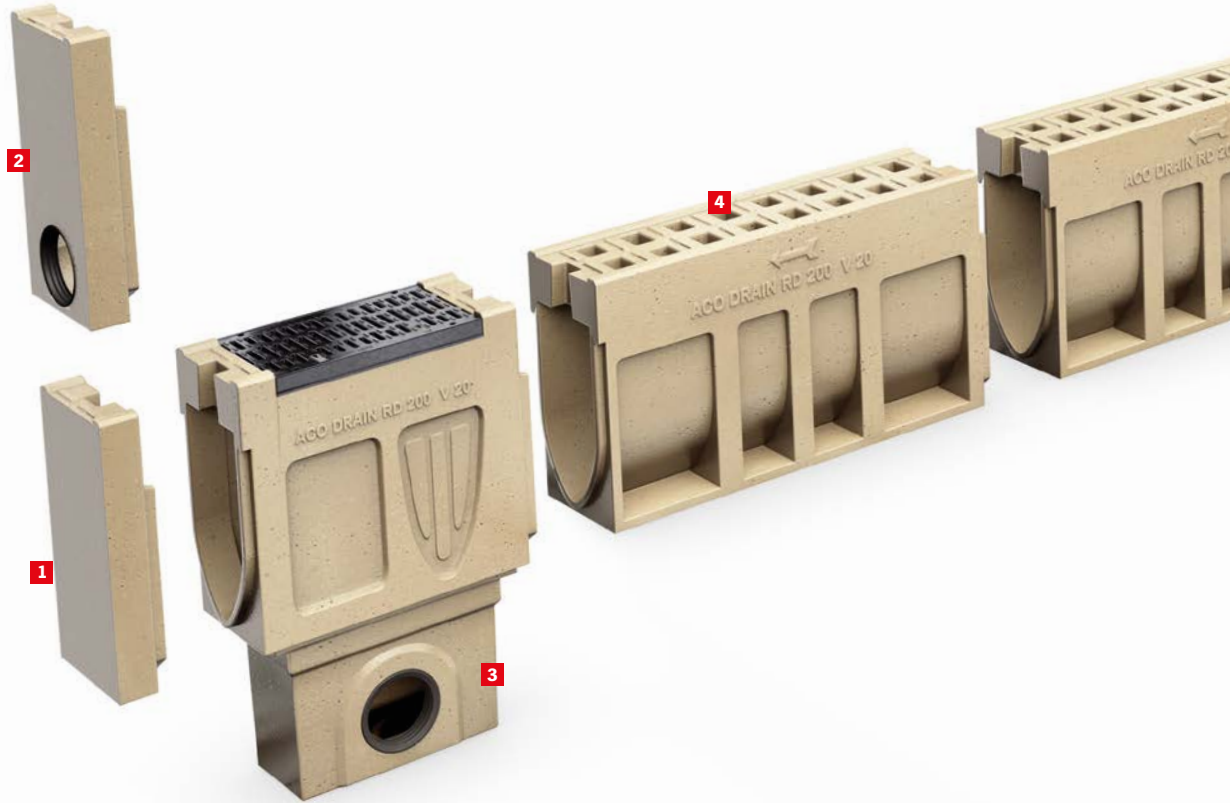


## ACO Drain® Monoblock RD 100V / 150V / 200V / 300

TECHNICAL DETAILS

[www.aco.com](http://www.aco.com)

Clear width [mm]: 100, 150, 200, 300



### Components of the system

#### Channels

**Load class:** D 400 or F 900

**Material:** natural or anthracite polymer concrete (mass-colored)

**Type of channel:** without integrated slope;  
3 height options - RD 150V  
2 height options - RD 200V  
1 height option - RD 100V and RD 300

#### Joining of channels

Tongue and groove (RD 100V, RD 200V)  
Unisex (**RD 150V**)

#### Gratings

**Material:** Polymer concrete - monocast channel design (trench body + grating); inspection elements with KTL-coated ductile iron (GGG) grating and edge rail

#### Sump units

**Load class:** F 900

**Material:** Polymer concrete

**Version:**

1. one-piece design made of polymer concrete (RD 100V) with a KTL-coated ductile iron (GGG) grating and edge rail, with silt basket
2. two-piece design RD 300 made of polymer concrete (RD 150V, RD 200V) with a KTL-coated ductile iron (GGG) grating (with Powerlock® boltless locking system) and edge rail, with silt basket
3. two- or three-piece design RD 300

### System benefits

- The monocast design **prevents faulting and theft of the grating.**
- The side structure of the channel (anchoring pockets) and a fully monolithic design allows for **a quick and easy installation.**
- Thanks to the monolithic design, the system is recommended for installation in heavy duty conditions - **across traffic routes**, e.g. before railway crossings or road intersections
- Additional gasketing compounds may be applied to the system to provide **complete watertightness**, if required.
- The V profile of the channel allows to achieve the self-cleaning effect even in case of small drainage areas (narrow and short sections of the line drainage system)
- Fixing using the Powerlock® **locking springs** - a boltless grating fixing system, which allows to open the system for inspection and cleaning at any time following installation.



**System elements – legend**

- 1** End cap
- 2** End cap with gasket
- 3** Sump unit, top section with KTL coated cast iron edge rail and grating
- 4** Monolithic channel
- 5** Channel (access unit) with a KTL coated cast iron grating, with side furrows for cross joints.
- 6** Side connection adapter
- 7** Reverse flow adapter

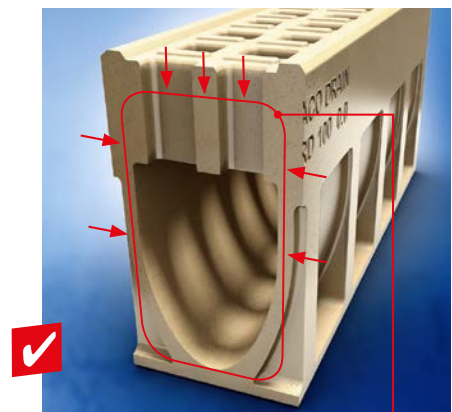


ACO Drain® Monoblock RD 150V monocast channel natural or anthracite, **in three heights.**

**Typical applications**



- **droads - highways, motorways and local roads (drainage across and along the roadway),**
- **logistics centers and industrial areas - outdoor applications,**
- **airports,**
- **ports and container transshipment areas,**
- outdoor car parks,
- gas stations and fuel terminals,
- train platforms,
- warehouses,
- packing facilities,
- car washes.



Thanks to the **monolithic design**, the system is recommended for installation in heavy duty conditions.

## Line drainage



## ACO Drain® Monoblock RD 100V line drainage system

TECHNICAL DETAILS

[www.aco.com](http://www.aco.com)

Monocast polymer concrete channel anthracite or natural  
 V cross-section  
 Clear width 10.0 cm  
 Maximum load class D 400 - F 900, compliant with EN 1433:2005

Type	Length	Width	Height	Inlet area	Weight	Part no.		
	cm	cm	cm	cm <sup>2</sup> /m	kg	anthracite mix	anthracite	natural

### Monolithic channel

made of polymer concrete, anthracite or natural, with additional sealing with a sealant (SF) possible

0.0 (D400-F900)	100,0	16,0	26,5	308	50,0	10764M	10764	10763
-----------------	-------	------	------	-----	------	--------	-------	-------

### Access unit with Ø 110 gasket

made of polymer concrete, natural, load class F 900, with the Powerlock® locking spring, possibility of additional sealing with a sealant (SF), with a Ø 110 lip labyrinth gasket

0.1 <sup>2)3)</sup> (D400-F900)	50,0	16,0	27,5	380	21,0	10775		
---------------------------------	------	------	------	-----	------	-------	--	--

<sup>1)</sup> Trench with an outlet Ø 110 in the bottom, with a lip labyrinth gasket for a watertight vertical connection to the sewerage.

<sup>2)</sup> Trench with side furrows to make angle joints, T-joints and cross-joints.

<sup>3)</sup> Trench with furrows in the bottom, to make a vertical opening for the Ø 110 outlet.

### Sump unit

one-piece unit made of polymer concrete, with edge rail, silt basket, with a Ø 110 or Ø 160 lip labyrinth gasket

Ø 110	50,0	16,0	52,5	380	31,0	10769		
Ø 160	50,0	16,0	52,5	380	31,0	10772		

### End cap

made of polymer concrete, natural

To close the beginning of the channel	3,0	16,0	26,5		1,9	10782	10781	
To close the end of the channel	4,0	16,0	26,5		3,2	10785	10784	

### Back end cap

made of polymer concrete, natural, with a Ø 110 lip labyrinth gasket

Back end cap with gasket	4,0	16,0	27,5		2,6	10788	10787	
--------------------------	-----	------	------	--	-----	-------	-------	--

### Adapter

to reverse the flow, made of polymer concrete, natural

Adapter	6,0	16,0	26,5		3,0	10791	10790	
---------	-----	------	------	--	-----	-------	-------	--



Monolithic channel ACO Drain® Monoblock RD 100V, 1.0 m, F 900, anthracite



Monolithic channel ACO Drain® Monoblock RD 100V, 1.0 m, F 900, natural



Access unit ACO Drain® Monoblock RD 100V, natural

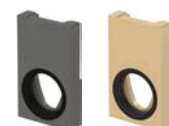


Sump unit ACO Drain® Monoblock RD 100V, natural



End cap to close the beginning of the channel

End cap to close the end of the channel



Back end cap with gasket



Adapter

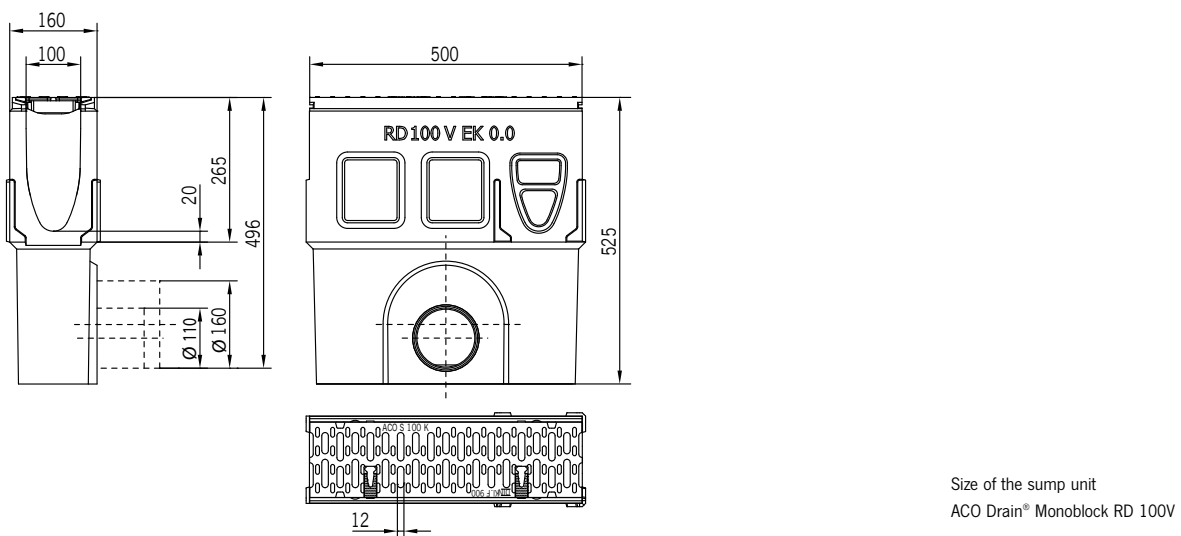
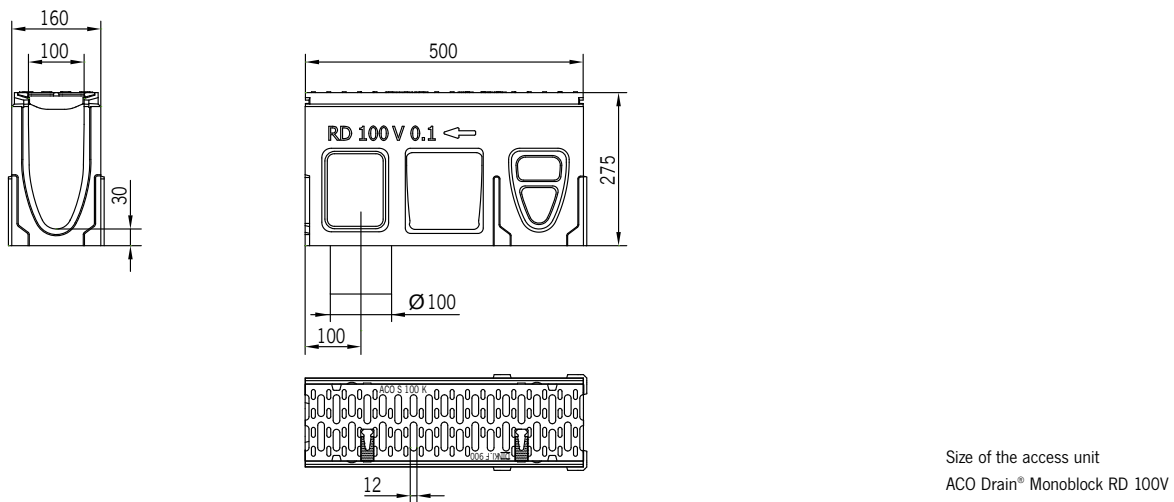
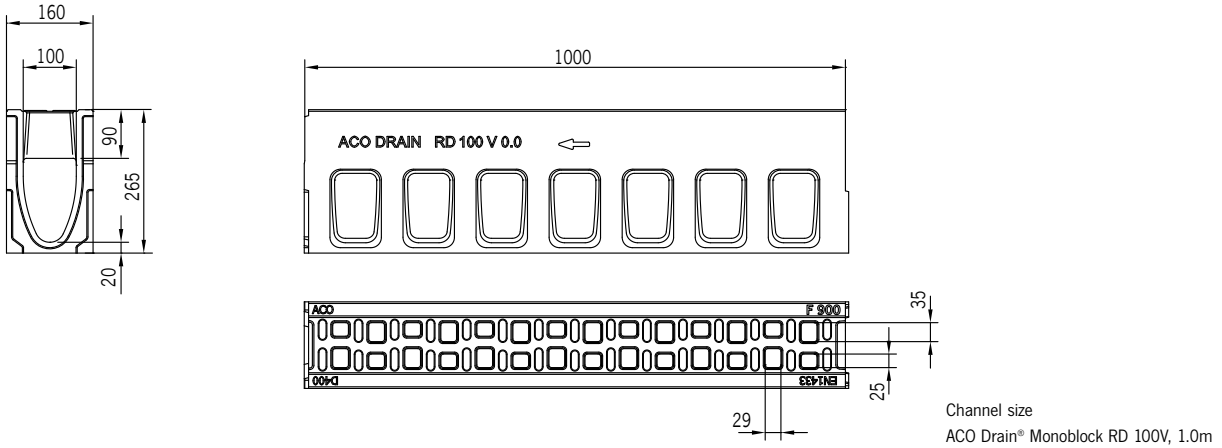


**ACO Drain® Monoblock RD 100V line drainage system**

TECHNICAL DETAILS

[www.aco.com](http://www.aco.com)

Monocast polymer concrete channel anthracite or natural  
 V cross-section  
 Clear width 10.0 cm  
 Maximum load class D 400 - F 900, compliant with EN 1433:2005



## Line drainage



**New**

## ACO Drain® Monoblock PD 150V line drainage system

TECHNICAL DETAILS

[www.aco.com](http://www.aco.com)

Monocast polymer concrete channel anthracite or natural  
 V cross-section  
 Clear width 15.0 cm  
 Maximum load class D 400 - F 900, compliant with EN 1433:2005

Type	Length	Width	Height	Inlet area	Weight	Part no.		
	cm	cm	cm	cm <sup>2</sup> /m	kg	anthracite mix	anthracite	natural

### Monolithic channel

made of polymer concrete, natural, with additional sealing with a sealant (SF) possible

D 400 - F 900								
0.0	100,0	21,0	28,0	363	66,3	130123M	130123	130073
10.0	100,0	21,0	38,0	363	74,9	130124M	130124	130074
20.0	100,0	21,0	48,0	363	83,6	130125M	130125	130075

### End cap

made of polymer concrete, natural, to close the beginning/end of the channel

0.0	5,2	130135	130085
10.0	6,9	130136	130086
20.0	8,5	130137	130087

### End cap with gasket

made of polymer concrete, natural, with a Ø160 lip labyrinth gasket

0.0	3,8	130138	130088
10.0	5,4	130139	130089
20.0	7,9	130140	130090



Monolithic channel Monoblock RD 150V, 1.0 m, anthracite



Monolithic channel Monoblock RD 150V, 1.0 m, natural



End cap Monoblock RD 150V



End cap with gasket Monoblock RD 150V

**New**

**ACO Drain® Monoblock PD 150V line drainage system**

TECHNICAL DETAILS

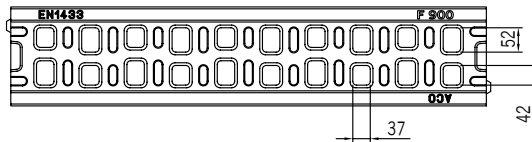
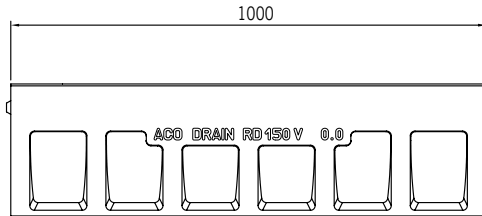
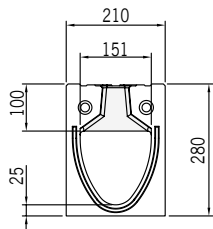
[www.aco.com](http://www.aco.com)

Monocast polymer concrete channel anthracite or natural

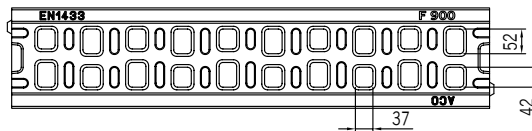
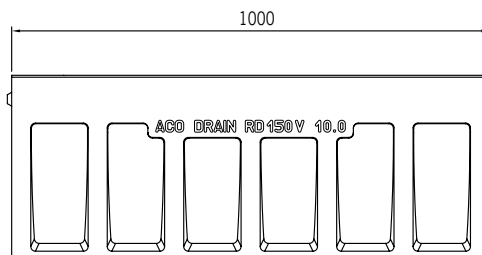
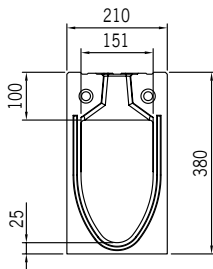
V cross-section

Clear width 15.0 cm

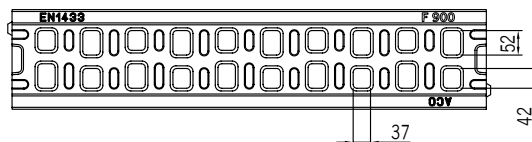
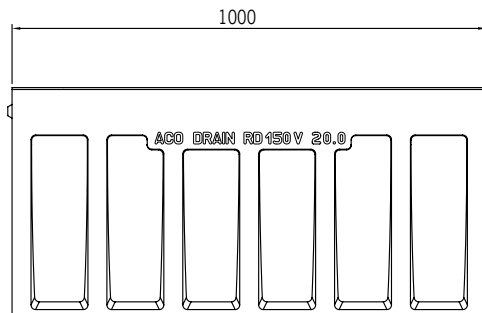
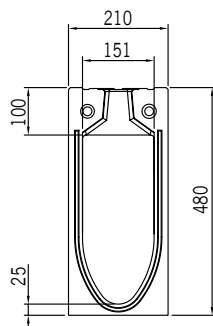
Maximum load class D 400 - F 900, compliant with EN 1433:2005



Channel size  
ACO Drain® Monoblock RD 150V, type 0.0



Channel size  
ACO Drain® Monoblock RD 150V, type 10.0



Channel size  
ACO Drain® Monoblock RD 150V, type 20.0

## Line drainage



**New**

## ACO Drain® Monoblock RD 150V line drainage system

TECHNICAL DETAILS

[www.aco.com](http://www.aco.com)

Monocast polymer concrete channel anthracite or natural  
 V cross-section  
 Clear width 15.0 cm  
 Maximum load class D 400 - F 900, compliant with EN 1433:2005

Type	Length	Width	Height	Inlet area	Weight	Part no.		
	cm	cm	cm	cm <sup>2</sup> /m	kg	anthracite mix	anthracite	natural

### Access unit

made of polymer concrete, anthracite or natural, with a KTL-coated ductile iron (GGG) grating, load class F 900, with the Powerlock® locking spring, possibility of additional sealing with a sealant (SF)

0.0 <sup>1) 2)</sup>	66,0	21,0	28,0	680	44,3	130126	130076
10.0 <sup>1) 2)</sup>	66,0	21,0	38,0	680	51,7	130127	130077
20.0 <sup>1) 2)</sup>	66,0	21,0	48,0	680	59,1	130128	130078



Monoblock RD 150V access unit, anthracite



Monoblock RD 150V access unit, natural

### Access unit with Ø 110 gasket

made of polymer concrete, natural anthracite or natural, with a KTL-coated ductile iron (GGG) grating, load class F 900, with the Powerlock® locking spring, possibility of additional sealing with a sealant (SF), with a Ø 110 lip labyrinth gasket, for a vertical connection to the sewerage

0.0 <sup>1)</sup>	66,0	21,0	28,0	680	43,8	130129	130079
10.0 <sup>1)</sup>	66,0	21,0	38,0	680	51,1	130130	130080
20.0 <sup>1)</sup>	66,0	21,0	48,0	680	58,3	130131	130081



Monoblock RD 150V sump unit, anthracite

### Sump unit

made of polymer concrete, anthracite or natural, as an access unit made of ductile iron (GGG) grating, load class F 900, with a boltless grating locking system, with the safe ACO Drain® (SF) joint, to make watertight gutter lines

Top section 0.0	66,0	21,0	33,0	935	48,0	130132	130082
Top section 10.0	66,0	21,0	43,0	935	53,0	130133	130083
Top section 20.0	66,0	21,0	53,0	935	65,0	130134	130084
Bottom section Ø 160	50,0	23,0	36,6	—	26,5	10935	
Bottom section Ø 200	50,0	23,0	36,5	—	26,5	10936	
Silt basket						13999	



Monoblock RD 150V sump unit, natural

<sup>1)</sup> With side furrows to make angle joints, T-joints and cross-joints.

<sup>2)</sup> With furrows in the bottom, to make a vertical opening for the Ø 110 outlet

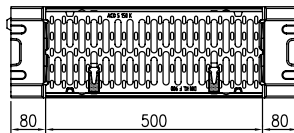
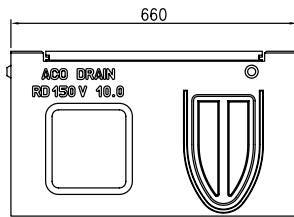
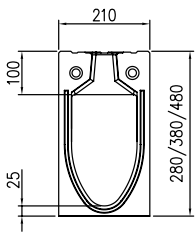
**New**

**ACO Drain® Monoblock RD 150V line drainage system**

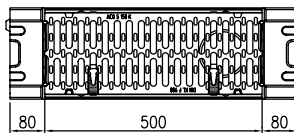
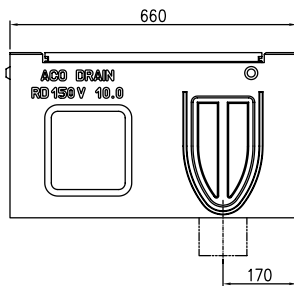
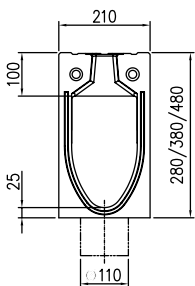
TECHNICAL DETAILS

[www.aco.com](http://www.aco.com)

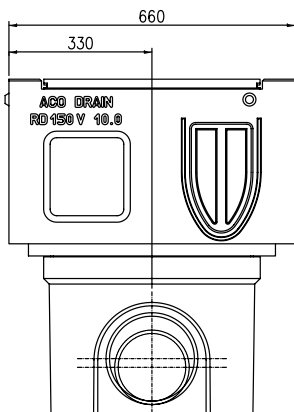
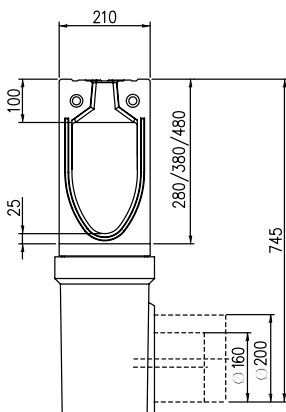
Monocast polymer concrete channel anthracite or natural  
 V cross-section  
 Clear width 15.0 cm  
 Maximum load class D 400 - F 900, compliant with EN 1433:2005



Size of the RD 150V access unit



Size of the RD 150V access unit with a bottom gasket for vertical discharge



Size of the RD 150V sump unit, type 10.0

## Line drainage



**New**

## ACO Drain® Monoblock RD 200V line drainage system

TECHNICAL DETAILS

[www.aco.com](http://www.aco.com)

Monocast polymer concrete channel anthracite or natural  
 V cross-section  
 Clear width 20.0 cm  
 Maximum load class D 400 - F 900, compliant with EN 1433:2005

Type	Length	Width	Height	Inlet area	Weight	Part no.		
	cm	cm	cm	cm <sup>2</sup> /m	kg	anthracite mix	anthracite	natural

### Monolithic channel

made of polymer concrete, anthracite or natural,  
 with additional sealing with a sealant (SF) possible

#### D 400 - F 900

0.0	100,0	26,0	33,0	583	90,0	130040M	130040	130004
20.0	100,0	26,0	53,0	583	111,0	130042M	130042	130006

### Access unit

made of polymer concrete, anthracite or natural, with ductile iron (GGG) grating,  
 load class F 900, with the Powerlock® locking spring,  
 possibility of additional sealing with a sealant (SF),  
 with a Ø 160 lip labyrinth gasket

0.1 <sup>2) 3)</sup>	66,0	26,0	33,0	935	51,6	130052	130016
20.1 <sup>2) 3)</sup>	66,0	26,0	53,0	935	67,6	130053	130017
0.2 <sup>1) 2)</sup>	66,0	26,0	33,0	935	51,0	130054	130018
20.2 <sup>1) 2)</sup>	66,0	26,0	53,0	935	67,0	130055	130019

<sup>1)</sup> Trench with an outlet Ø 160 in the bottom, with a lip labyrinth gasket for a watertight vertical connection to the sewerage.

<sup>2)</sup> Trench with side furrows to make angle joints, T-joints and cross-joints.

<sup>3)</sup> Trench with furrows in the bottom, to make a vertical opening for the Ø 160 outlet.

### Smaller inflow slot at channel joint



Monoblock RD 200V monocast channel, 1 m, anthracite



Monoblock RD 200V monocast channel, 1 m, natural



Monoblock RD 200V access unit, anthracite



Monoblock RD 200V access unit, natural

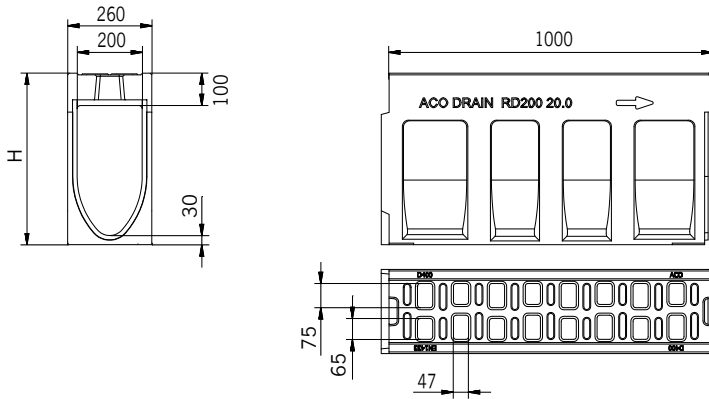
**New**

**ACO Drain® Monoblock RD 200V line drainage system**

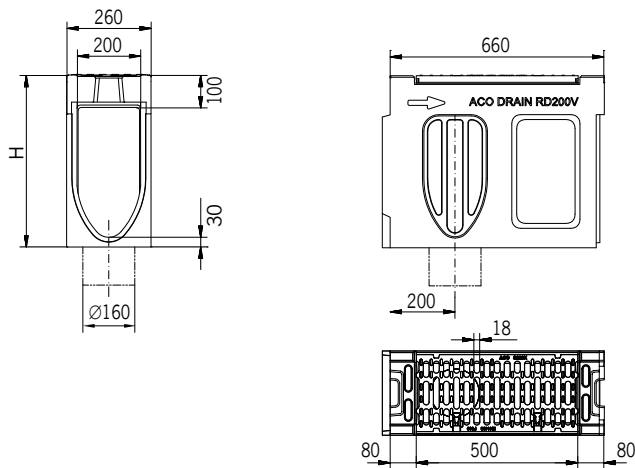
TECHNICAL DETAILS

[www.aco.com](http://www.aco.com)

Monocast polymer concrete channel anthracite or natural  
 V cross-section  
 Clear width 20.0 cm  
 Maximum load class D 400 - F 900, compliant with EN 1433:2005



ACO Drain® Monoblock RD 200V channel size



ACO Drain® Monoblock RD 200V access unit size

## Line drainage



## ACO Drain® Monoblock RD 200V line drainage system

TECHNICAL DETAILS

[www.aco.com](http://www.aco.com)

Monocast polymer concrete channel anthracite or natural  
 V cross-section  
 Clear width 20.0 cm  
 Maximum load class D 400 - F 900, compliant with EN 1433:2005

Type	Length	Width	Height	Inlet area	Weight	Part no.		
	cm	cm	cm	cm <sup>2</sup> /m	kg	anthracite mix	anthracite	natural

### Sump unit

made of polymer concrete, anthracite or natural, as an access unit made of ductile iron (GGG) grating, load class F 900, with the Powerlock® locking spring, possibility of additional sealing with a sealant (SF)

Top section 0.0	66,0	26,0	36,0	935	48,0	130058	130022
Top section 20.0	66,0	26,0	56,0	935	65,0	130059	130023
Bottom section Ø 160	50,0	23,0	36,6	—	26,5	10935	
Bottom section Ø 200	50,0	23,0	36,5	—	26,5	10936	
Silt basket						13999	

### End cap

made of polymer concrete, anthracite or natural, with a Ø 160 lip labyrinth gasket

End cap to close the beginning of the channel							
0.0	7,0	26,0	33,0	-	9,0	130044	130008
20.0	7,0	26,0	53,0	-	12,4	130045	130009
End cap to close the end of the channel							
0.0	7,0	26,0	33,0	-	10,0	130046	130010
20.0	7,0	26,0	53,0	-	14,9	130047	130011

### End cap with gasket

made of polymer concrete, anthracite or natural, with a Ø 160 lip labyrinth gasket

0.0	7,0	26,0	33,0	-	8,5	130048	130012
20.0	7,0	26,0	53,0	-	13,1	130049	130013

### Reverse flow adapter

made of polymer concrete, anthracite or natural

0.0	8,2	26,0	33,0	-	7,6	130050	130014
20.0	8,2	26,0	53,0	-	9,8	130051	130015

### Side connection adapter

made of polymer concrete, anthracite or natural

0.0	7,0	26,0	33,0	-	7,2	130056	130020
20.0	7,0	26,0	53,0	-	9,3	130057	130021

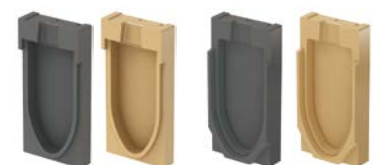
### Smaller inflow slot at channel joint



Monoblock RD 200V sump unit, natural



Monoblock RD 200V sump unit, natural



Monoblock RD 200V end cap to close the beginning of the channel

Monoblock RD 200V end cap to close the end of the channel



Monoblock RD 200V end cap with gasket



Monoblock RD 200V reverse flow adapter

Monoblock RD 200V side connection adapter



## ACO Drain® Monoblock RD 200V line drainage system

TECHNICAL DETAILS

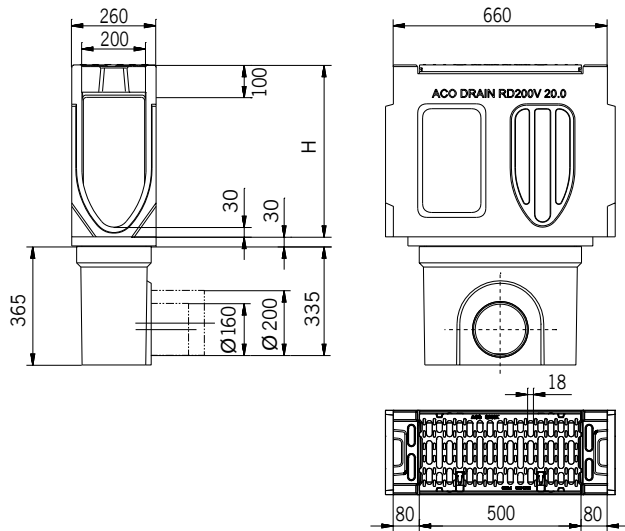
[www.aco.com](http://www.aco.com)

Monocast polymer concrete channel anthracite or natural

V cross-section

Clear width 20.0 cm

Maximum load class D 400 - F 900, compliant with EN 1433:2005



ACO Drain® Monoblock RD 200V sump unit size

## Line drainage



## ACO Drain® Monoblock RD 200V line drainage system

TECHNICAL DETAILS

[www.aco.com](http://www.aco.com)

Monocast polymer concrete channel natural color

V cross-section

Clear width 20.0 cm

Maximum load class D 400 - F 900, compliant with EN 1433:2005

Type	Length	Width	Height	Inlet area	Weight	Part no.
	cm	cm	cm	cm <sup>2</sup> /m	kg	

### Larger inflow slot at channel joint



### Monolithic channel

made of polymer concrete, natural, with additional sealing with a sealant (SF) possible

#### D 400 - F 900

0.0	100,0	26,0	33,0	583	90,0	10908
20.0	100,0	26,0	53,0	583	111,0	10928

### Access unit

made of polymer concrete, natural, with ductile iron (GGG) grating, load class F 900, with the Powerlock® locking spring, possibility of additional sealing with a sealant (SF), with a Ø 160 lip labyrinth gasket

0.1 <sup>2) 3)</sup>	66,0	26,0	33,0	935	51,6	10901
20.1 <sup>2) 3)</sup>	66,0	26,0	53,0	935	67,6	10921
0.2 <sup>1) 2)</sup>	66,0	26,0	33,0	935	51,0	10939
20.2 <sup>1) 2)</sup>	66,0	26,0	53,0	935	67,0	10937

<sup>1)</sup> Trench with an outlet Ø 160 in the bottom, with a lip labyrinth gasket for a watertight vertical connection to the sewerage.

<sup>2)</sup> Trench with side furrows to make angle joints, T-joints and cross-joints.

<sup>3)</sup> Trench with furrows in the bottom, to make a vertical opening for the Ø 160 outlet.



Monoblock RD 200V monocast channel, 1 m, natural



Monoblock RD 200V access unit, natural

**ACO Drain® Monoblock RD 200V line drainage system**

TECHNICAL DETAILS

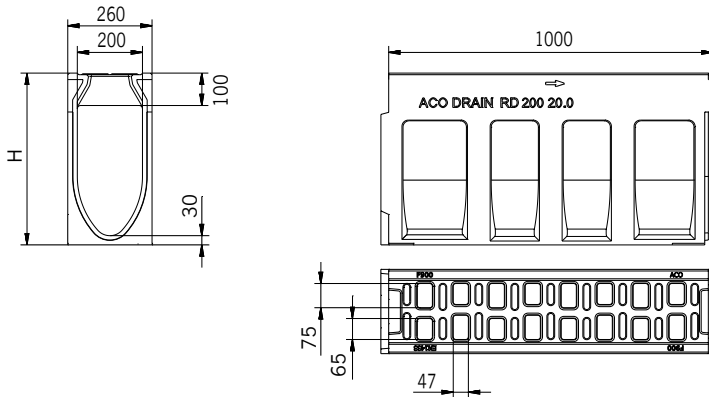
[www.aco.com](http://www.aco.com)

Monocast polymer concrete channel natural color

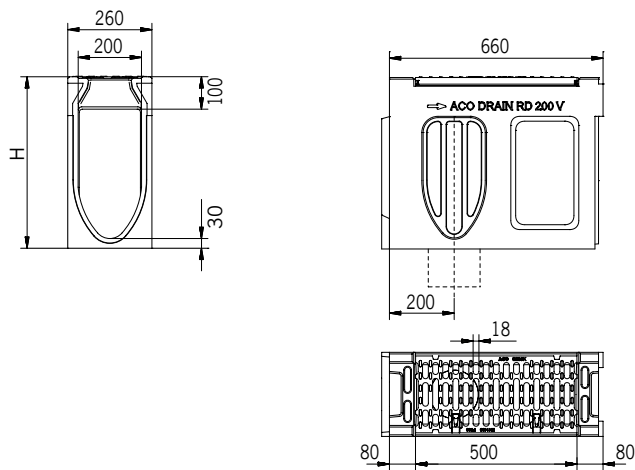
V cross-section

Clear width 20.0 cm

Maximum load class D 400 - F 900, compliant with EN 1433:2005



ACO Drain® Monoblock RD 200V channel size



ACO Drain® Monoblock RD 200V access unit size

## Line drainage



## ACO Drain® Monoblock RD 200V line drainage system

TECHNICAL DETAILS

[www.aco.com](http://www.aco.com)

Monocast polymer concrete channel natural color

V cross-section

Clear width 20.0 cm

Maximum load class D 400 - F 900, compliant with EN 1433:2005

Type	Length	Width	Height	Inlet area	Weight	Part no.
	cm	cm	cm	cm <sup>2</sup> /m	kg	

### Sump unit

made of polymer concrete, natural, as an access unit made of ductile iron (GGG) grating, load class F 900, with the Powerlock® locking spring, possibility of additional sealing with a sealant (SF)

Top section 0.0	66,0	26,0	36,0	935	48,0	10902
Top section 20.0	66,0	26,0	56,0	935	65,0	10922
Bottom section Ø 160	50,0	23,0	36,6	—	26,5	10935
Bottom section Ø 200	50,0	23,0	36,5	—	26,5	10936
Silt basket						13999

### Larger inflow slot at channel joint



Monoblock RD 200V sump unit, natural



Monoblock RD 200V end cap, natural



Monoblock RD 200V end cap with gasket, natural



Monoblock RD 200V reverse flow adapter, natural



Monoblock RD 200V side connection adapter, natural

### End cap

made of polymer concrete, natural, with a Ø 160 lip labyrinth gasket

End cap to close the beginning of the channel						
0.0	7,0	26,0	33,0	-	8,6	10905
20.0	7,0	26,0	53,0	-	12,0	10925
End cap to close the end of the channel						
0.0	7,0	26,0	33,0	-	8,8	10904
20.0	7,0	26,0	53,0	-	13,6	10924

### End cap with gasket

made of polymer concrete, natural, with a Ø 160 lip labyrinth gasket

0.0	7,0	26,0	33,0	-	7,4	10906
20.0	7,0	26,0	53,0	-	12,2	10926

### Reverse flow adapter

made of polymer concrete, natural

0.0	8,2	26,0	33,0	-	7,6	10907
20.0	8,2	26,0	53,0	-	9,8	10927

### Side connection adapter

made of polymer concrete, natural

0.0	7,0	26,0	33,0	-	7,2	10903
20.0	7,0	26,0	53,0	-	9,3	10923

**ACO Drain® Monoblock RD 200V line drainage system**

TECHNICAL DETAILS

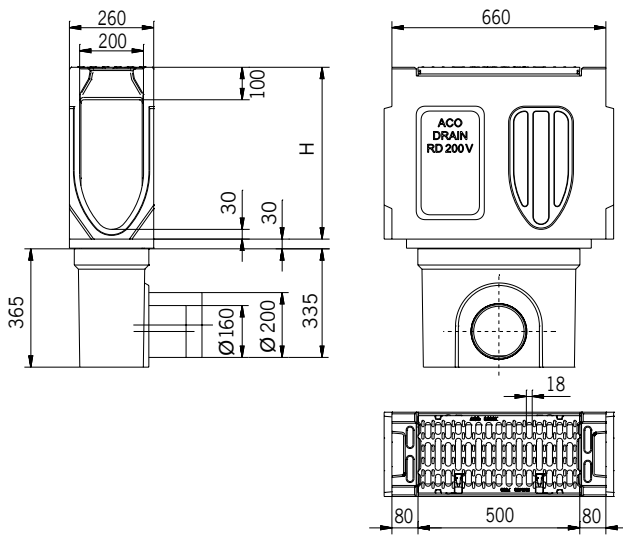
[www.aco.com](http://www.aco.com)

Monocast polymer concrete channel natural color

V cross-section

Clear width 20.0 cm

Maximum load class D 400 - F 900, compliant with EN 1433:2005



ACO Drain® Monoblock RD 200V sump unit size

## Line drainage



## ACO Drain® Monoblock RD 300 line drainage system

TECHNICAL DETAILS

[www.aco.com](http://www.aco.com)

Monocast polymer concrete channel natural color

Clear width 30.0 cm

Maximum load class D 400 - F 900, compliant with EN 1433:2005

Type	Length	Width	Height	Inlet area	Weight	Part no.
	cm	cm	cm	cm <sup>2</sup> /m	kg	natural

### Channel

made of polymer concrete, natural, with additional sealing with a sealant (SF) possible

Trench F 900	200,0	40,0	59,5	800	484,0	10820
--------------	-------	------	------	-----	-------	-------



Monoblock RD 300 monocast channel, 2.0 m, natural

Type	Length	Width	Height	Weight	Part no.
	cm	cm	cm	kg	

### Access unit

made of polymer concrete, natural, with a ductile iron grating, load class F 900, with the Powerlock® locking spring, with possibility of additional sealing with a sealant (SF)

0.1	75,0	40,0	64,5	219,0	10803
-----	------	------	------	-------	-------



Monoblock RD 300 access unit, natural

## ACO Drain® Monoblock RD 300 line drainage system

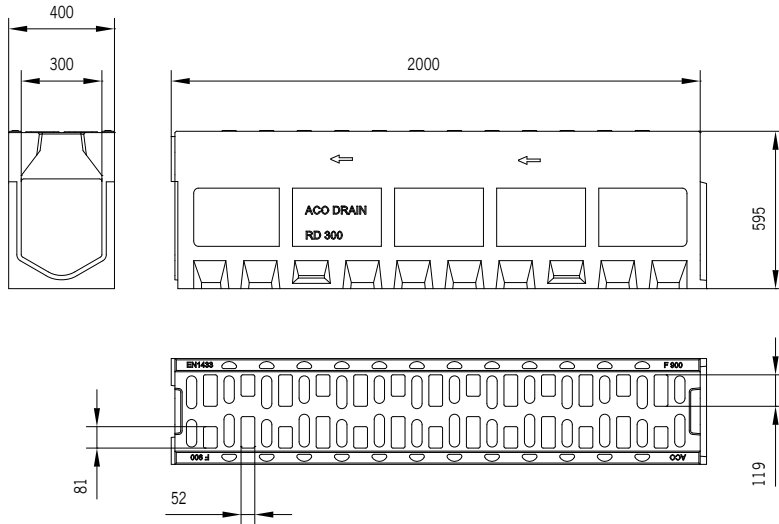
TECHNICAL DETAILS

[www.aco.com](http://www.aco.com)

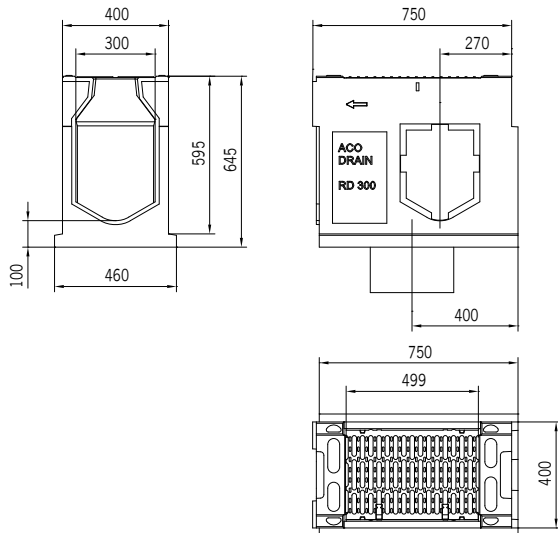
Monocast polymer concrete channel natural color

Clear width 30.0 cm

Maximum load class D 400 - F 900, compliant with EN 1433:2005



ACO Drain® Monoblock RD 300 channel size



ACO Drain® Monoblock RD 300 access unit size

## Line drainage



## ACO Drain® Monoblock RD 300 line drainage system

TECHNICAL DETAILS

[www.aco.com](http://www.aco.com)

Monocast polymer concrete channel natural color

Clear width 30.0 cm

Maximum load class D 400 - F 900, compliant with EN 1433:2005

Type	Length	Width	Height	Weight	Part no.
	cm	cm	cm	kg	

### Sump unit

made of polymer concrete<sup>1)</sup>, natural, with cast iron grating, load class F 900, with the Powerlock® locking spring, possibility of additional sealing with a sealant (SF), with a Ø 400 lip labyrinth gasket

Top section	75,0	40,0	64,0	214,0	10821
Mid section		40,0	33,0	72,0	10822
Bottom section Ø 400		40,0	71,5	168,0	10823
Adapter to suspend the basket <sup>2)</sup>				1,7	10824
Basket for the box				6,2	01617



Monoblock RD 300 sump unit, natural

### Side connection adapter

Adapter	40,0	59,5	29,2	10804
---------	------	------	------	-------

### End cap

made of polymer concrete, to close the beginning and end of the channel

End cap to close the beginning of the channel	40,0	59,5	31,2	10802
End cap to close the end of the channel	40,0	59,5	38,8	10801



Monoblock RD 300  
side connection  
adapter, natural



Monoblock RD 300  
end cap to close  
the beginning of the  
channel, natural

### End cap with gasket

to close the end of the channel, with integrated Ø 300 lip labyrinth gasket

End cap with gasket to close the beginning of the channel	40,0	59,5	29,5	10805
--	------	------	------	-------



Monoblock RD 300  
end cap to close the  
end of the channel,  
natural



Monoblock RD 300  
end cap with gasket,  
natural

### Reverse flow adapter

made of polymer concrete

Adapter	40,0	59,5	34,0	10806
---------	------	------	------	-------

<sup>1)</sup> with side furrows to connect the channel

<sup>2)</sup> 2 units per 1 basket are needed



Monoblock RD 300  
reverse flow adapter,  
natural

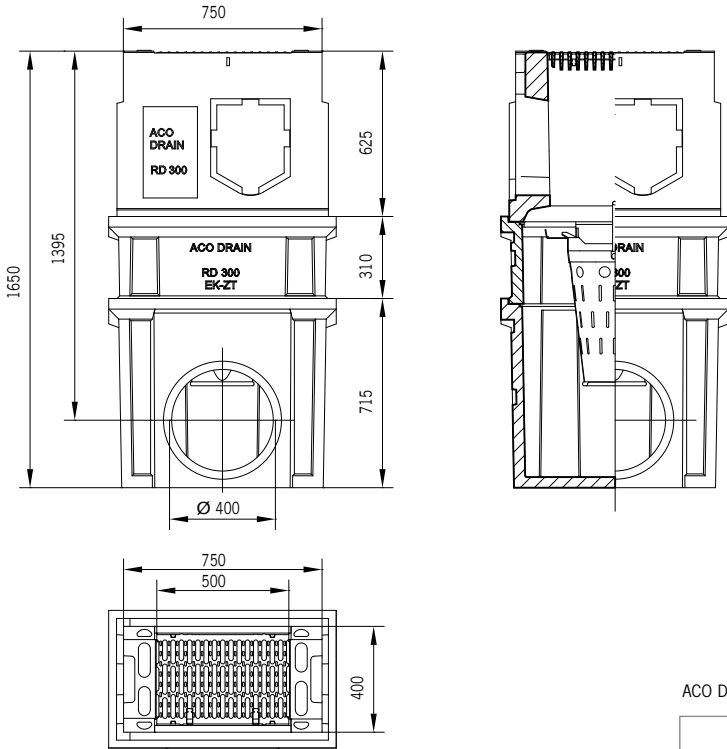


### ACO Drain® Monoblock RD 300 line drainage system

TECHNICAL DETAILS



Monocast polymer concrete channel natural color  
Clear width 30.0 cm  
Maximum load class D 400 - F 900, compliant with EN 1433:2005



ACO Drain® Monoblock RD 300 sump unit size

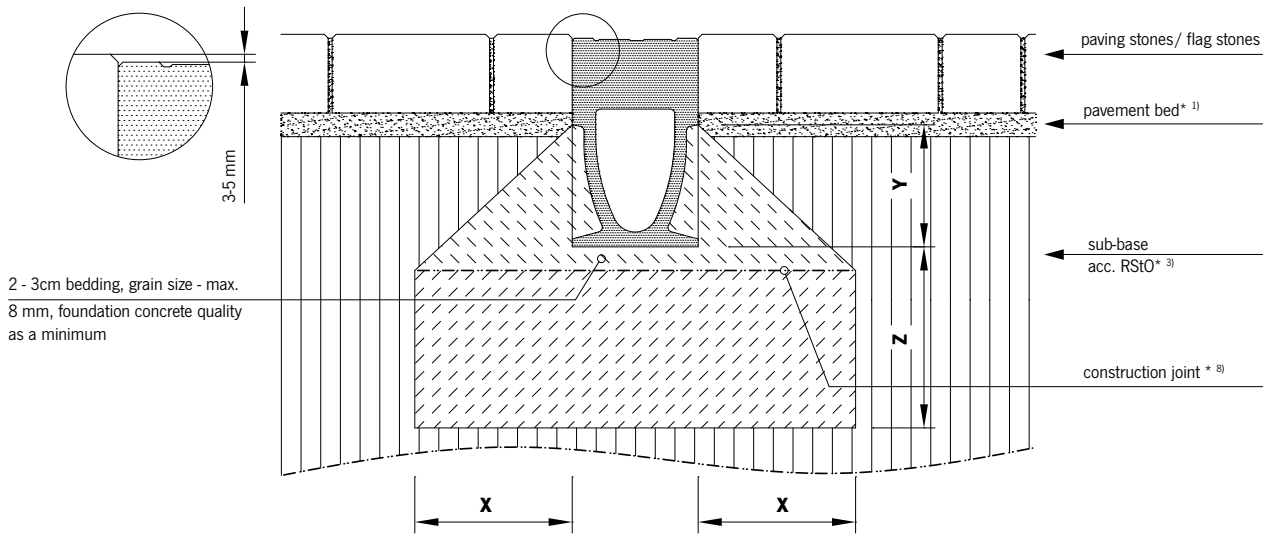


**ACO Drain® Monoblock RD 100V / 150V / 200V / 300**

TECHNICAL DETAILS

[www.aco.com](http://www.aco.com)

**Installation in concrete pavement, class C 250 / D 400**



\*..) see the list of subscripts in preliminary notes to our installation manual

Special installation conditions \*19)

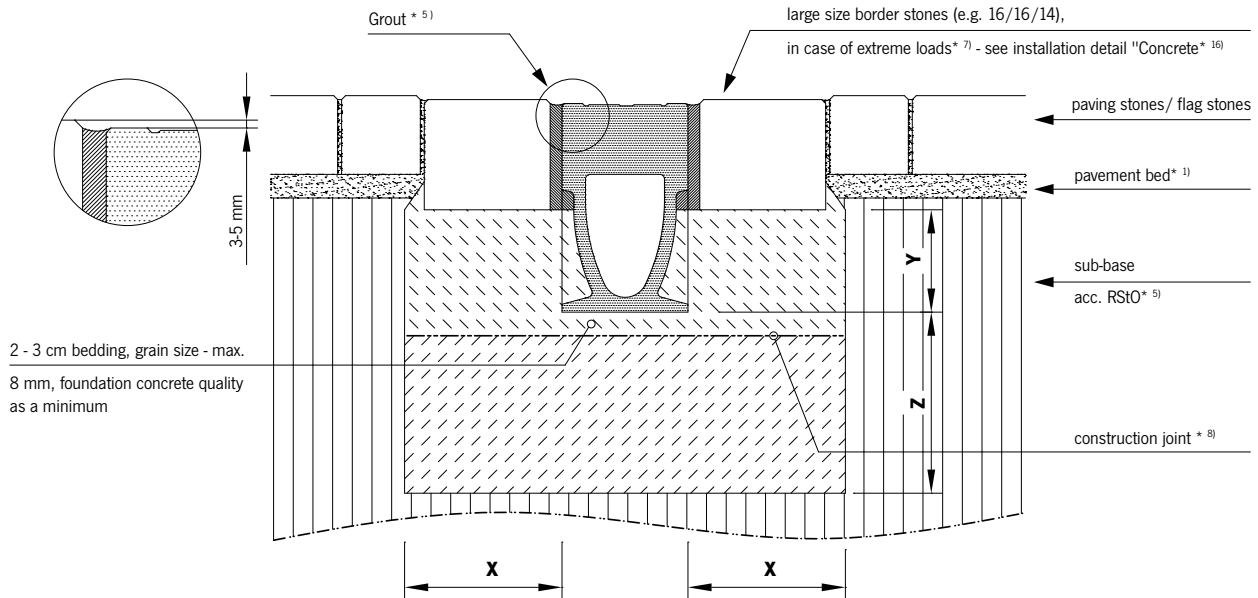
Load class	(acc. DIN EN 1433)	A 15	B 125	C 250	D 400		
Compressive strength class - foundation concrete	(acc. DIN EN 206-1)			≥ C 20/25	≥ C 20/25		
Exposure class - foundation concrete *16)				(X0)	(X0)		
Foundation dimensions - Type: M (acc. DIN EN 1433)	X [cm]			≥ 15	≥ 15		
	Y [cm]			upper edge of anchor pocket *2)			
	Y [cm]			≥ 15	≥ 20		

Valid only in connection with general notes to our installation manual! Download from [www.aco-tiefbau.de](http://www.aco-tiefbau.de)

Drawing G1-E01-930-3.1, Version 12.09

# ACO Drain® Monoblock RD 100V / 150V / 200V / 300

## Installation in concrete pavement, class – D 400 through F 900



\*..) see the list of subscripts in preliminary notes to our installation manual

Special installation conditions \*19)

Load class	(acc. DIN EN 1433)	A 15	B 125	C 250	D 400	E 600	F 900
Compressive strength class - foundation concrete	(acc. DIN EN 206-1)				≥ C 25/30	≥ C 25/30	object-specific
Exposure class - foundation concrete *16)					(X0)	(X0)	will be advised upon request
Foundation dimensions - Type: M (acc. DIN EN 1433)	X [cm]				≥ 20	≥ 20	
	Y [cm]				UK - border stones		
	Y [cm]				≥ 20	≥ 20	

Valid only in connection with general notes to our installation manual! Download from [www.aco-tiefbau.de](http://www.aco-tiefbau.de)

Drawing G1-E01-930-3.2, Version 12.09

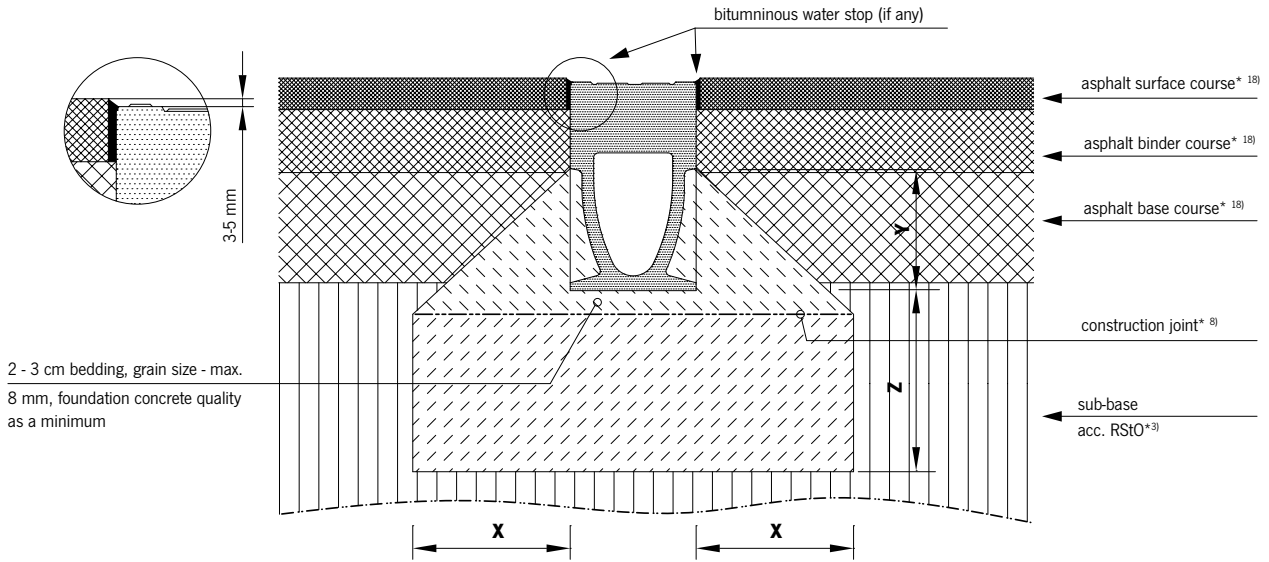


# ACO Drain® Monoblock RD 100V / 150V / 200V / 300

TECHNICAL DETAILS

[www.aco.com](http://www.aco.com)

## Installation in asphalt, class – C 250 / D 400



\*) see the list of subscripts in preliminary notes to our installation manual

Special installation conditions \*19)

Load class	(acc. DIN EN 1433)	A 15	B 125	C 250	D 400	E 600
Compressive strength class - foundation concrete	(acc. DIN EN 206-1)			≥ C 20/25	≥ C 20/25	
Exposure class - foundation concrete *16)				(X0)	(X0)	
Foundation dimensions - Type: M (acc. DIN EN 1433)	X [cm]			≥ 15	≥ 25	
	Y [cm]			upper edge of anchor pocket *2)		
	Y [cm]			≥ 20	≥ 20	

Valid only in connection with general notes to our installation manual! Download from [www.aco-tiefbau.de](http://www.aco-tiefbau.de)

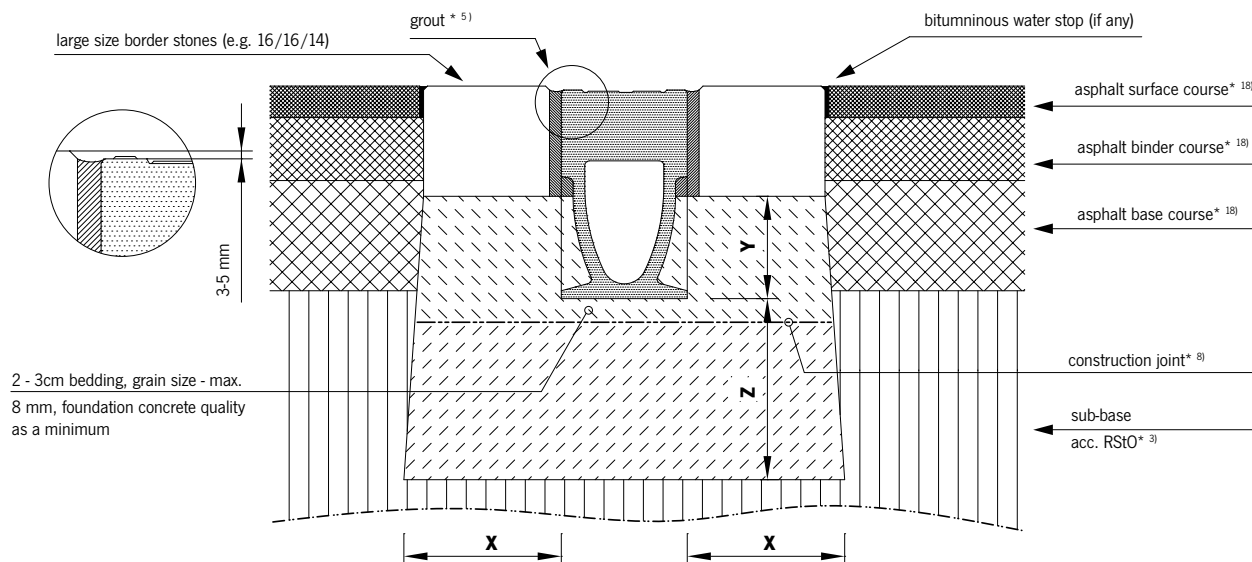
Drawing G1-E01-931-3.1, Version 12.09

# ACO Drain® Monoblock RD 100V / 150V / 200V / 300

TECHNICAL DETAILS

[www.aco.com](http://www.aco.com)

## Installation in asphalt, class –D 400 through F 900



\*) see the list of subscripts in preliminary notes to our installation manual

Special installation conditions \*19)

Load class	(acc. DIN EN 1433)	A 15	B 125	C 250	D 400	E 600	F 600
Compressive strength class - foundation concrete	(acc. DIN EN 206-1)				≥ C 20/30	≥ C 20/30	object-specific
Exposure class - foundation concrete *16)					(X0)	(X0)	will be advised upon request
Foundation dimensions - Type: M (acc. DIN EN 1433)	X [cm]				≥ 20	≥ 20	
	Y [cm]				UK - border stones		
	Y [cm]				≥ 20	≥ 20	

Valid only in connection with general notes to our installation manual! Download from [www.aco-tiefbau.de](http://www.aco-tiefbau.de)

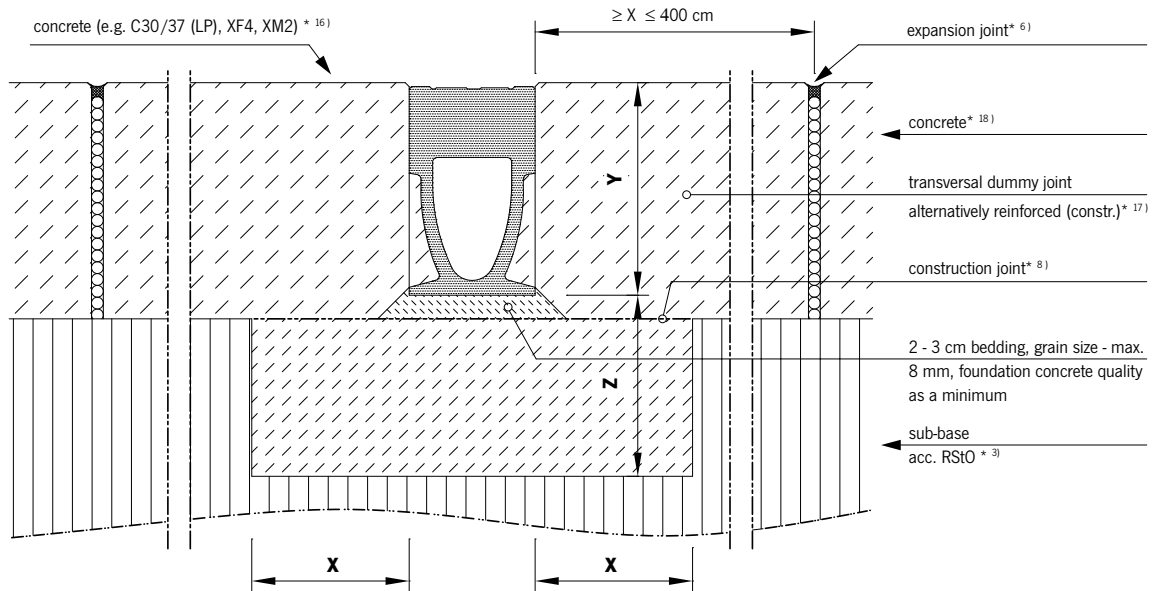
Drawing G1-E01-931-3.2, Version 12.09



# ACO Drain® Monoblock RD 100V / 150V / 200V / 300

TECHNICAL DETAILS  
[www.aco.com](http://www.aco.com)

## Installation in concrete, class – D 400 through F 900



\*) see the list of subscripts in preliminary notes to our installation manual

Special installation conditions \*19)

Load class	(acc. DIN EN 1433)	A 15	B 125	C 250	D 400	E 600	F 600
Compressive strength class - foundation concrete	(acc. DIN EN 206-1)				≥ C 20/30	≥ C 20/30	object-specific
Exposure class - foundation concrete *16)					(X0)	(X0)	will be advised upon request
Foundation dimensions - Type: M (acc. DIN EN 1433)	X [cm]				≥ 20	≥ 20	
	Y [cm]				Construction height of trough element		
	Y [cm]				≥ 20	≥ 20	

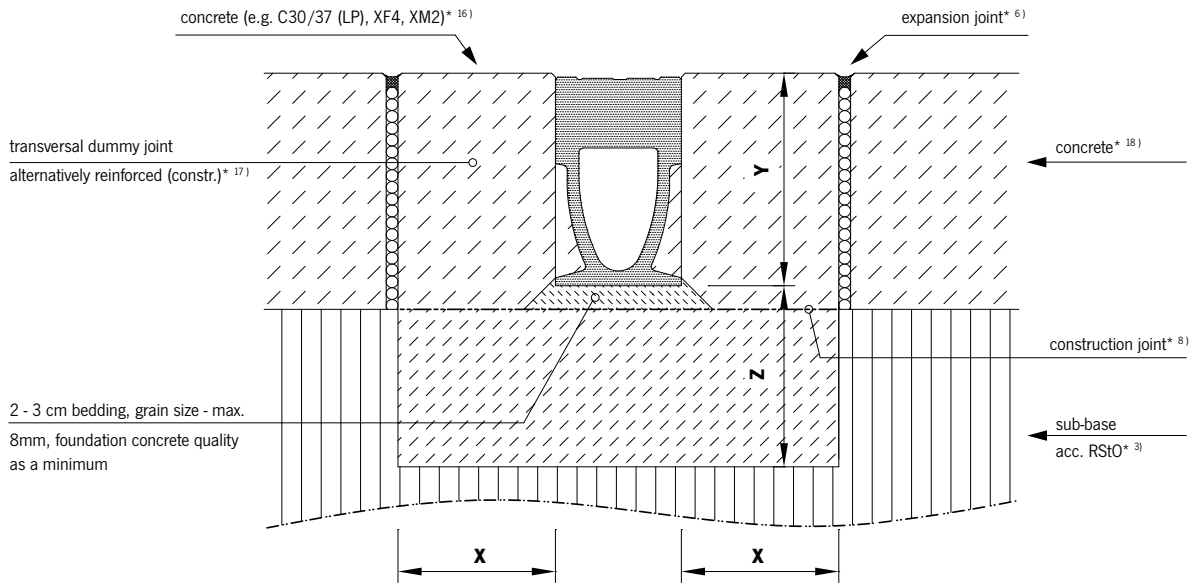
Valid only in connection with general notes to our installation manual! Download from [www.aco-tiefbau.de](http://www.aco-tiefbau.de)

Drawing G1-E01-932-3.1, Version 12.09

# ACO Drain® Monoblock RD 100V / 150V / 200V / 300

TECHNICAL DETAILS  
[www.aco.com](http://www.aco.com)

## Installation in concrete, class – D 400 through F 900



\*..) see the list of subscripts in preliminary notes to our installation manual

Special installation conditions \*19)

Load class	(acc. DIN EN 1433)	A 15	B 125	C 250	D 400	E 600	F 600
Compressive strength class - foundation concrete	(acc. DIN EN 206-1)				≥ C 20/30	≥ C 20/30	object-specific
Exposure class - foundation concrete *16)					(X0)	(X0)	will be advised upon request
Foundation dimensions - Type: M (acc. DIN EN 1433)	X [cm]				≥ 20	≥ 20	
	Y [cm]				Construction height of trough element		
	Y [cm]				≥ 20	≥ 20	

Valid only in connection with general notes to our installation manual! Download from [www.aco-tiefbau.de](http://www.aco-tiefbau.de)

Drawing G1-E01-932-3.2, Version 12.09

- **Line drainage**
- **Home and garden area drainage**
- **Lightshafts and windows**
- **Bathroom drainage**
- **Stainless steel**
- **Oil separators**
- **Grease separators**
- **Cast iron hatches**
- **Cast iron inlets**



**ACO Elementy Budowlane Sp. z o.o.**

ul. Fabryczna 5, Łąjski

05-119 Legionowo

Tel. 22 76 70 500

Fax. 22 76 70 513

[www.aco.pl](http://www.aco.pl)