

Installation manual

ACO Access Covers

PAVING AL

**ENG** Installation Manual

**GER** Installationsanleitung

**FRA** Instructions d'installation

**ESP** Manual De Instalación

**POR** Manual de Instalação

**ITA** Manuale d'installazione

**NLD** Installatiehandleiding

**CZE** Instalační manuál

**RUS** Инструкция По Установке

**SWE** Installationsanvisning

**NOR** Installasjons Manual

**FIN** Asennusohje

**DAN** Installationsvejledning

**EST** Paigaldusjuhend

**LAV** Uzstādīšanas instrukcija

**LIT** Montavimo instrukcija

**POL** Instrukcja montażu

**BUL** Инструкции за инсталация

**HUN** Beépítési útmutató

**RUM** Instrucțiuni de instalare

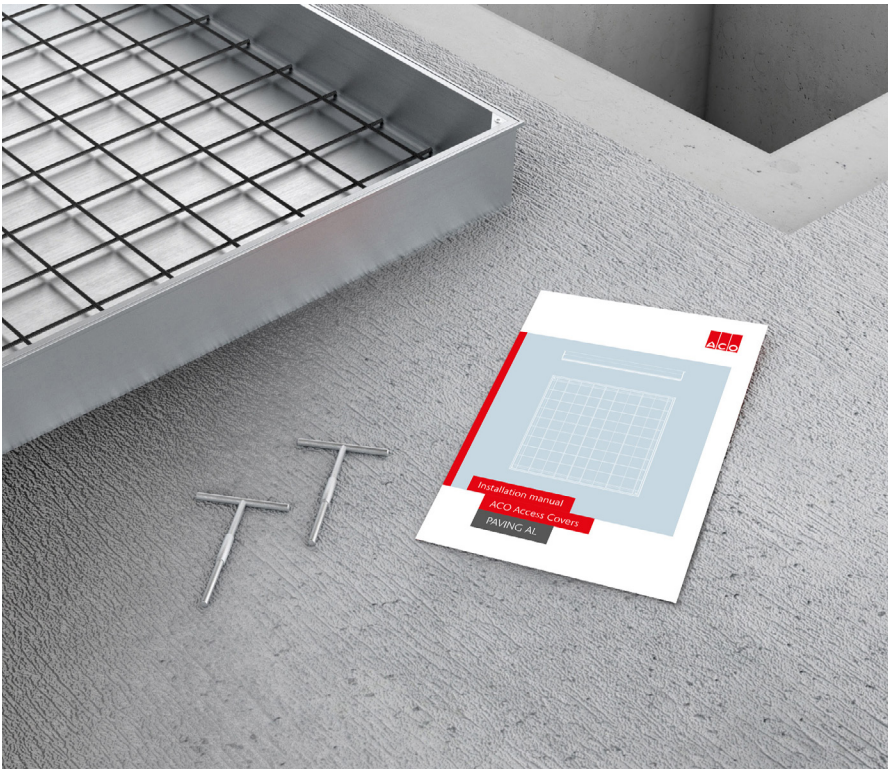
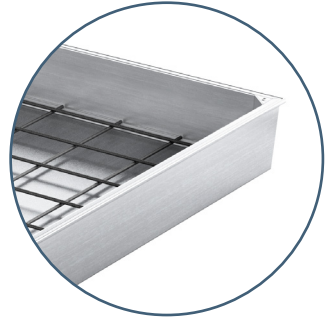
**HRV** Upute za ugradnju

**SLV** Navodila za vgradnjo

**SRP** Preporuka za ugradnju

**TUR** Montaj kılavuzu

**UKR** Інструкція з інсталяції

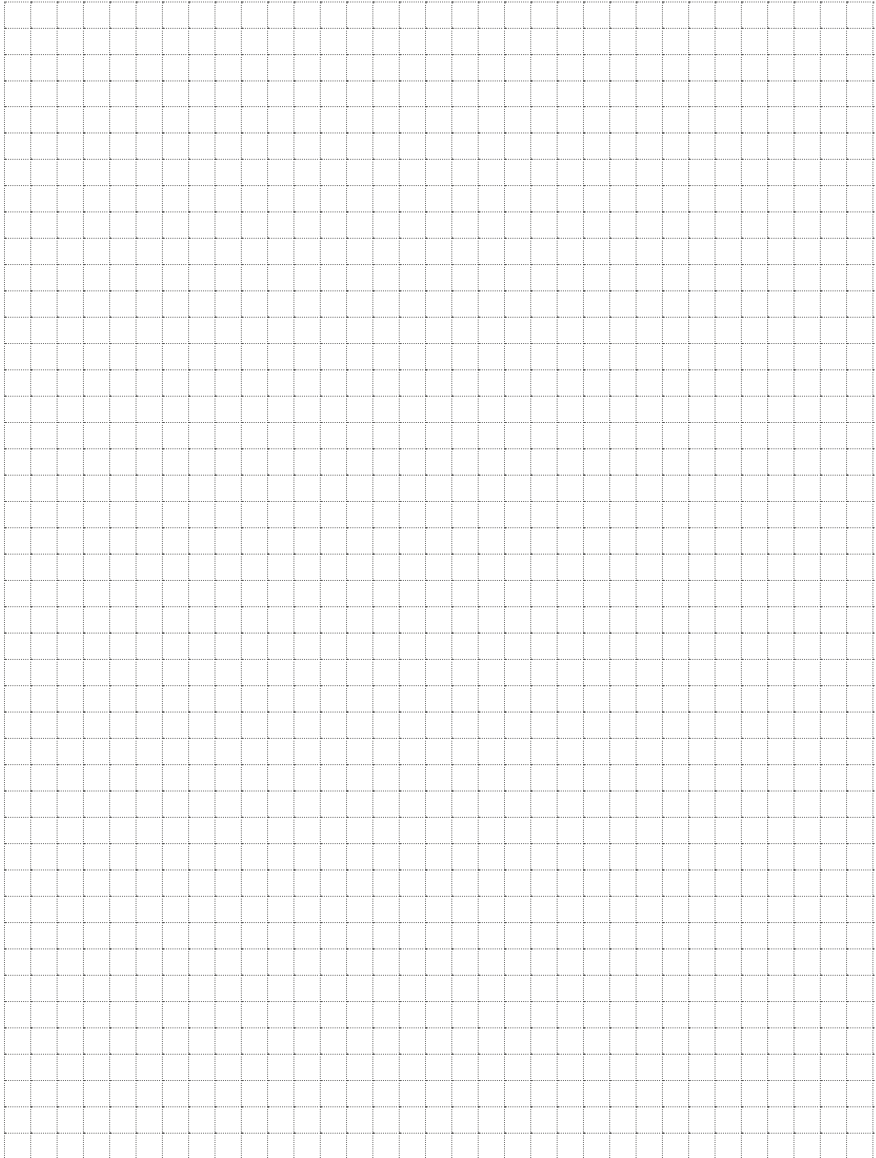


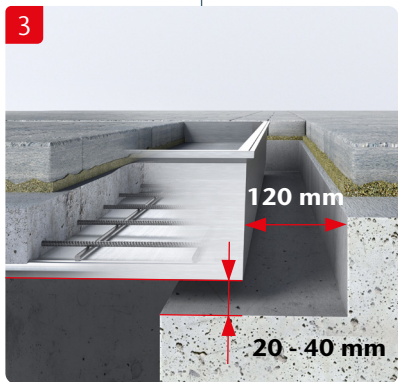
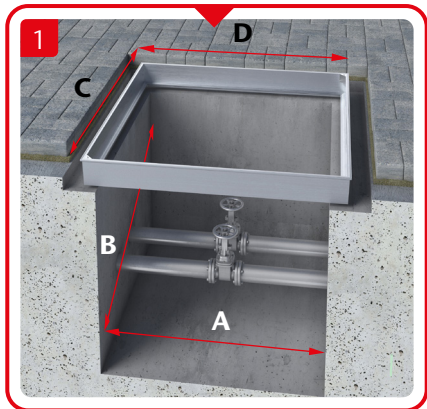
## ACO Access Cover PAVING AL

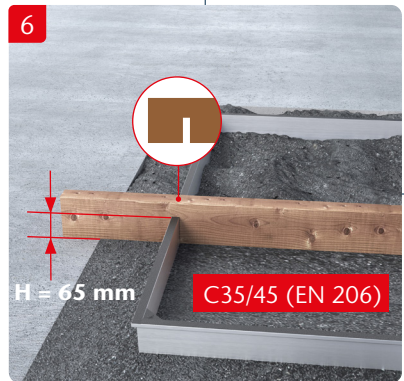
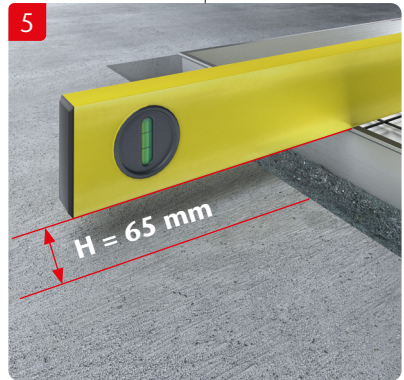
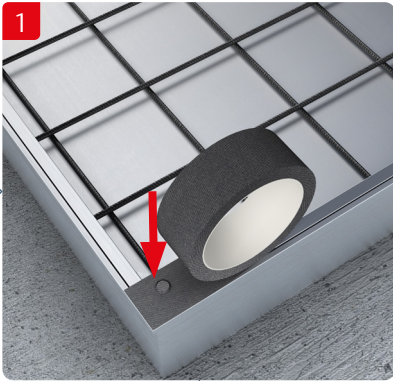
### Order information

Clear opening (A x B)	External dimensions (C x D)	Frame height	Cover depth	Load class	Weight	Part No.
[mm]	[mm]	[mm]	[mm]		[kg]	
230 x 230	300 x 300	107	95	30kN	3,3	450337
330 x 330	400 x 400	107	95	30kN	4,9	450338
430 x 430	500 x 500	107	95	30kN	6,5	450339
530 x 530	600 x 600	107	95	30kN	8,3	450340
630 x 630	700 x 700	107	95	30kN	10,2	450341
730 x 730	800 x 800	107	95	30kN	12,3	450342
830 x 830	900 x 900	107	95	30kN	14,6	450343
930 x 930	1000 x 1000	107	95	30kN	17,3	450344
200 x 200	270 x 270	107	95	30kN	2,9	450345
300 x 300	370 x 370	107	95	30kN	4,4	450346
450 x 450	520 x 520	107	95	30kN	5,7	450347
500 x 500	570 x 570	107	95	30kN	7,3	450348
600 x 450	670 x 520	107	95	30kN	8,0	450349
600 x 600	670 x 670	107	95	30kN	9,1	450350
750 x 600	820 x 670	107	95	30kN	11,0	450351
750 x 750	820 x 820	107	95	30kN	13,0	450352
900 x 600	970 x 670	107	95	30kN	12,0	450353
900 x 750	970 x 820	107	95	30kN	14,0	450354
900 x 900	970 x 970	107	95	30kN	15,1	450355

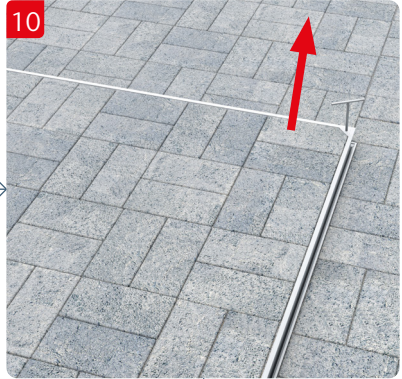
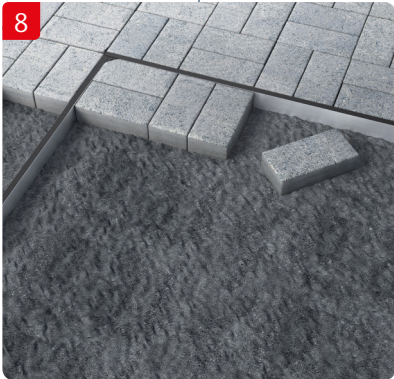
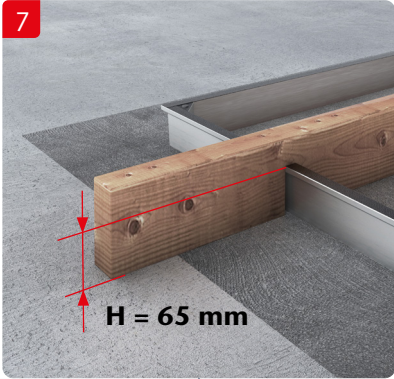
## Notes:

A large grid of small squares, intended for taking notes. The grid consists of 20 columns and 30 rows of small squares, providing a structured area for handwritten text.













ACO. we care for water



Every ACO product supports  
the ACO WaterCycle



- 
- ACO Access Covers UNIFACE
  - ACO Access Covers PAVING
  - ACO Access Covers SOLID
- 



ACO Industries k.s.

Havlickova 260  
582 22 Pribyslav  
Czech Republic

[www.aco-accesscovers.com](http://www.aco-accesscovers.com)

ACO Access Covers PAVING AL Manual/EN/Q4/23