



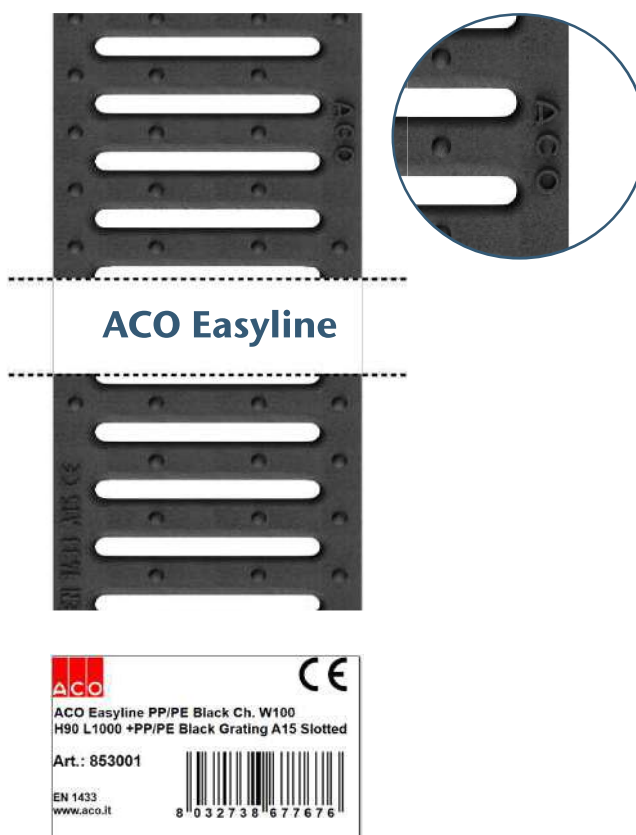
6

ACO Easyline

**COLLECT:**  
Collect and convey



<b>ACO Easyline H90</b>	ACO Easyline H90, Black	P. 82
	ACO Easyline H90, Grey	P. 83
<b>ACO Easyline H50</b>	ACO Easyline H50, Black	P. 84
	ACO Easyline H50, Grey	P. 85
	ACO Easyline H50 PACK	P. 86



Declaration of performance at:  
[www.aco.it/download/dop-e-certificati/](http://www.aco.it/download/dop-e-certificati/)

# EXCELLENT PERFORMANCE FOR EVERYONE

**ACO Easyline with grating** is the ENTRY LEVEL range produced by ACO, equipped with all the features necessary to obtain safe and efficient drainage. The smooth and waterproof surface, the lightness, the special compact geometry and the guaranteed performances for the load classes A15 and B125, are the main features that make the **ACO Easyline with grating** unique in its kind.

The range includes two different heights: the **ACO Easyline** with 90mm internal height and the new arrival **ACO Easyline H50** with the new internal dimension of 30mm height. Thanks to these solutions, the **ACO Easyline with grating** can be installed and put into operation in a simple and easy way, without the help of special professional equipment, and this is precisely what makes it a product for everyone.

The gratings are fixed to the channel through a mechanical system with hooks, that do not require the use of bolts or nuts or special tools; an innovation that definitely simplifies the most traditional fixing systems.

The different models of **ACO Easyline with grating** can all claim of being CE marked, answering in this way to all the requirements of the European reference standard EN1433.

To protect and guarantee the declared and expected performance throughout its useful life in operation, the entire production chain is subject to strict quality controls that go well beyond those indicated as “minimum” by legislation.

## Typical Applications

- Green areas
- Pedestrian areas and cycle paths
- Terraces and balconies



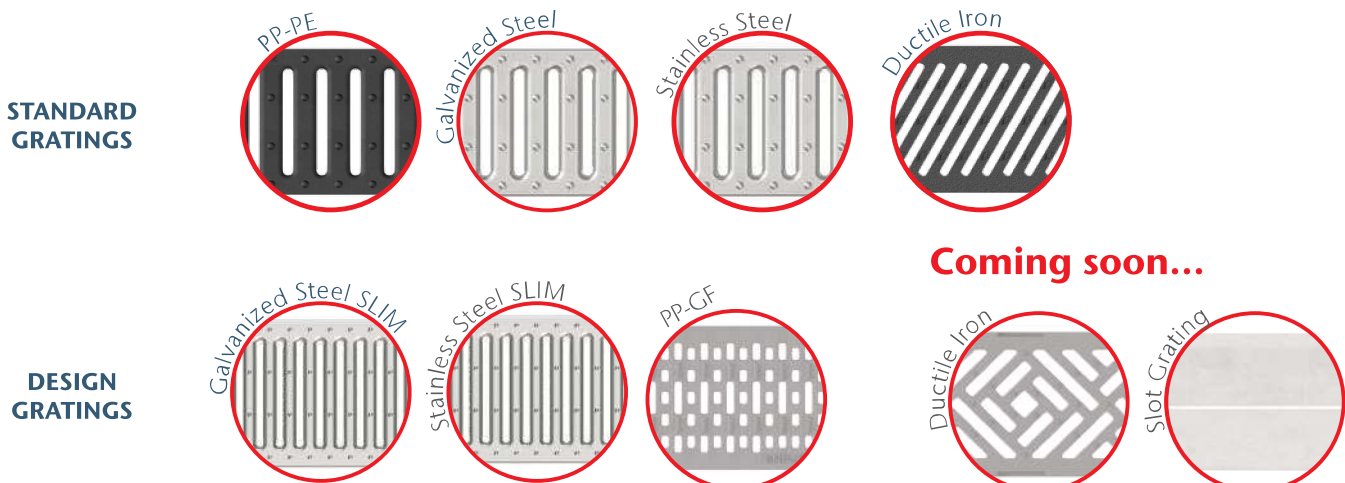
## System overview ACO Easyline H90 NEW



## System overview ACO Easyline H50



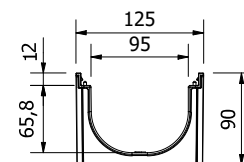
## Standard gratings and design gratings



# ACO Easyline H90, Black

## Product information

- Plastic Channel BLACK
- Channel internal size (WxH): 95 x 66 mm
- PP-PE rail
- Gratings load classes A 15, B 125
- Built-in fixing system
- Available in Black and Grey color



## ACO Easyline H90 BLACK with grating

Grating Type	Load Class	Slot	Dimensions			Pc/Pal	Artic. Num.
			Length	Width	Height		
		[mm]	[mm]	[mm]	[mm]	[n.]	
PP-PE	A 15	8	1000	120	90	72	853001
Galvanized steel	A 15	8	1000	120	90	72	853003
Stainless steel	A 15	8	1000	120	90	72	853007
Ductile iron	B 125	6	1000	120	90	72	853011
DESIGN GRATING Galvanized steel SLIM	A 15	5	1000	120	90	72	853005
DESIGN GRATING Stainless steel SLIM	A 15	5	1000	120	90	72	853009
DESIGN GRATING PP-GF	B 125		1000	120	90	72	853013
DESIGN GRATING Ductile Iron	B 125		1000	120	90	72	—
DESIGN GRATING Slot	A 15		1000	120	90	72	—

## ACO Easyline H90 BLACK Kit

Description	Pc/Box	Artic. Num.
	[n.]	
ø110 vertical outlet + ø50 end cap outlet + num. 1 closing end cap	50	853200
ø50 end cap outlet + num. 1 closing end cap	50	853202

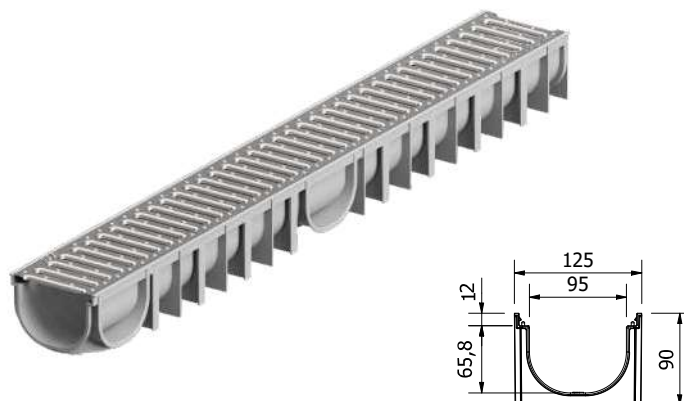
## ACO Easyline H90 BLACK Accessories

Description	Pc/Box	Artic. Num.
	[n.]	
ø110 vertical outlet	100	853204
ø50 end cap outlet	100	853206
Closing end cap	100	853208

# ACO Easyline H90, Grey

## Product information

- Plastic Channel GREY
- Channel internal size (WxH): 95 x 66 mm
- PP-PE rail
- Gratings load classes A 15, B 125
- Built-in fixing system
- Available in Balck and Grey color



## ACO Easyline H90 GREY with grating

### Dimensions

Grating Type	Load Class	Slot	Dimensions			Pc/Pal	Artic. Num.
			Length	Width	Height		
		[mm]	[mm]	[mm]	[mm]	[n.]	
PP-PE	A 15	8	1000	120	90	72	855002
Galvanized steel	A 15	8	1000	120	90	72	855004
Stainless steel	A 15	8	1000	120	90	72	855008
Ductile iron	B 125	6	1000	120	90	72	855012
DESIGN GRATING Galvanized steel SLIM	A 15	5	1000	120	90	72	855006
DESIGN GRATING Stainless steel SLIM	A 15	5	1000	120	90	72	855010
DESIGN GRATING Ductile Iron	B 125		1000	120	90	72	—
DESIGN GRATING Slot	A 15		1000	120	90	72	—

## ACO Easyline H90 GREY Kit

Description	Pc/Box	Artic. Num.
	[n.]	
ø110 vertical outlet + ø50 end cap outlet + num. 1 closing end cap	50	855201
ø50 end cap outlet + num. 1 closing end cap	50	855203

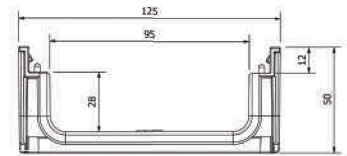
## ACO Easyline H90 GREY Accessories

Description	Pc/Box	Artic. Num.
	[n.]	
ø110 vertical outlet	100	855205
ø50 end cap outlet	100	855207
Closing end cap	100	855209

# ACO Easyline H50, Black

## Product information

- Plastic Channel
- 4 side connections each channel
- Plastic rail 5mm thickness
- Gratings load classes A15, B125
- Built-in fixing system
- Available in Black and Grey color



## ACO Easyline H50 BLACK with grating

### Dimensions

Grating Type	Load Class	Slot [mm]	Dimensions			Pc/Pal [n.]	Artic. Num.
			Length [mm]	Width [mm]	Height [mm]		
PP-PE	A 15	8	1000	125	50	198	330004
Galvanized steel	A 15	8	1000	125	50	198	330000
Stainless steel	A 15	8	1000	125	50	198	330002
Ductile iron	B125	6	1000	125	50	198	330006
DESIGN GRATING Galvanized steel SLIM	A 15	8	1000	125	50	198	330008
DESIGN GRATING Stainless steel SLIM	A 15	8	1000	125	50	198	330012
DESIGN GRATING Ductile Iron	B 125		1000	125	50	198	—
DESIGN GRATING Slot	A 15		1000	125	50	198	—

## ACO Easyline H50 BLACK Kit

Description	Pc/Box	Artic. Num.
	[n.]	
ø110 vertical outlet + num.2 ø32 end cap outlet + num.1 closing end cap	50	330020
ø32 end cap outlet + num.1 closing end cap	100	330040

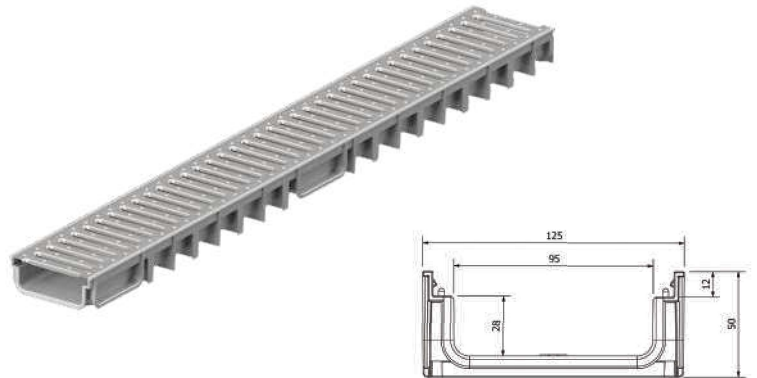
## ACO Easyline H50 BLACK Accessories

Description	Pc/Box	Artic. Num.
	[n.]	
ø110 vertical outlet	100	319764
ø32 end cap outlet	100	330042
Closing end cap	100	330044

# ACO Easyline H50, Grey

## Product information

- Plastic Channel
- 4 side connections each channel
- Plastic rail 5mm thickness
- Gratings load classes A15, B125
- Built-in fixing system
- Available in Black and Grey color



## ACO Easyline H50 GREY with grating

### Dimensions

Grating Type	Load Class	Slot	Dimensions			Pc/Pal	Artic. Num.
			Length	Width	Height		
		[mm]	[mm]	[mm]	[mm]	[n.]	
PP-PE	A 15	8	1000	125	50	198	330200
Galvanized steel	A 15	8	1000	125	50	198	330202
Stainless steel	A 15	8	1000	125	50	198	330204
Ductile iron	B125	6	1000	125	50	198	330210
DESIGN GRATING Galvanized steel SLIM	A 15	8	1000	125	50	198	330206
DESIGN GRATING Stailnless steel SLIM	A 15	8	1000	125	50	198	330208
DESIGN GRATING Ductile Iron	B 125		1000	125	50	198	—
DESIGN GRATING Slot	A 15		1000	125	50	198	—

## ACO Easyline H50 GREY Kit

Description	Pc/Box	Artic. Num.
	[n.]	
ø110 vertical outlet + num.2 ø32 end cap outlet + num.1 closing end cap	50	330236
ø32 end cap outlet + num.1 closing end cap	100	330238

## ACO Easyline H50 GREY Accessories

Description	Pc/Box	Artic. Num.
	[n.]	
ø110 vertical outlet	100	319765
ø32 end cap outlet	100	330421
Closing end cap	100	330243



# ACO Easyline H50 Pack **NEW**

## Product information

- The pack contains:
  - 4 plastic channels, 4 gratings, 2 open end caps, 1 closed end cap
- 4 side connections each channel
- Plastic rail 5mm thickness
- Gratings load class: A 15, B 125
- Built-in fixing system
- Available in Black and Grey color



## ACO Easyline H50 BLACK

Grating Type	Load Class	Slot	Dimensions			Pc/Pal	Artic. Num.
			Length	Width	Height		
		[mm]	[mm]	[mm]	[mm]	[n.]	
PP-PE	A 15	8	1000	125	50	33	330300
Galvanized steel	A 15	8	1000	125	50	33	330302
Stainless steel	A 15	8	1000	125	50	33	330306
Ductile iron	B 125	6	1000	125	50	33	330312
DESIGN GRATING Galvanized steel SLIM	A 15	8	1000	125	50	33	330304
DESIGN GRATING Stainless steel SLIM	A 15	8	1000	125	50	33	330308

- Accessories on previous pages

## ACO Easyline H50 GREY

Grating Type	Load Class	Slot	Dimensions			Pc/Pal	Artic. Num.
			Length	Width	Height		
		[mm]	[mm]	[mm]	[mm]	[n.]	
PP-PE	A 15	8	1000	125	50	33	330400
Galvanized steel	A 15	8	1000	125	50	33	330402
Stainless steel	A 15	8	1000	125	50	33	330406
Ductile iron	B 125	6	1000	125	50	33	330410
DESIGN GRATING Galvanized steel SLIM	A 15	8	1000	125	50	33	330404
DESIGN GRATING Stainless steel SLIM	A 15	8	1000	125	50	33	330408

- Accessories on previous pages



## TERMS AND CONDITIONS

---

- Valid for orders from 01/02/2023
  - Transport condition: EXW MufleSystem warehouse
  - Payment terms: 30 DAYS AFTER INVOICE DATE
  - Europallet EPAL on request: 12,90€
  - Minimum quantity:
  - ACO Xtraline, 1 pallet
  - ACO Easyline, half truck
- 

MufleSystem S.r.l.

Via dell'Industria 7  
62017 Porto Recanati (MC)  
Tel. +39 071 9799122  
Fax +39 071 7592275  
info@mufle.com