

Polypropylene - Pedestrian and Light Vehicle Applications



Easy handling right down to the last detail, combined with the highest quality: the new ACO composite drainage channel. Designed with premium composite and capable of withstanding loads to class D 400. A great new drainage channel, especially for applications involving the design of open spaces, and gardening and landscaping – which all benefit from this technically perfect and aesthetic solution for line drainage.

ACO Composite Channel

Manufactured from recycled polypropylene, the high quality, high strength unit is available in three channel widths; 100 mm, 150 mm and 200 mm. As standard channels are manufactured with galvanised steel or composite edge rails - which provide optimum channel protection from vehicular traffic.

It is possible to choose from a range of traditional and discreet slot drainage gratings and solid covers to ensure that a wide variety of applications are cate-

red for. The system's gratings are fitted with ACO Drainlock, a bar-less locking device which reduces the risk of blockages and improves hydraulic capacity.

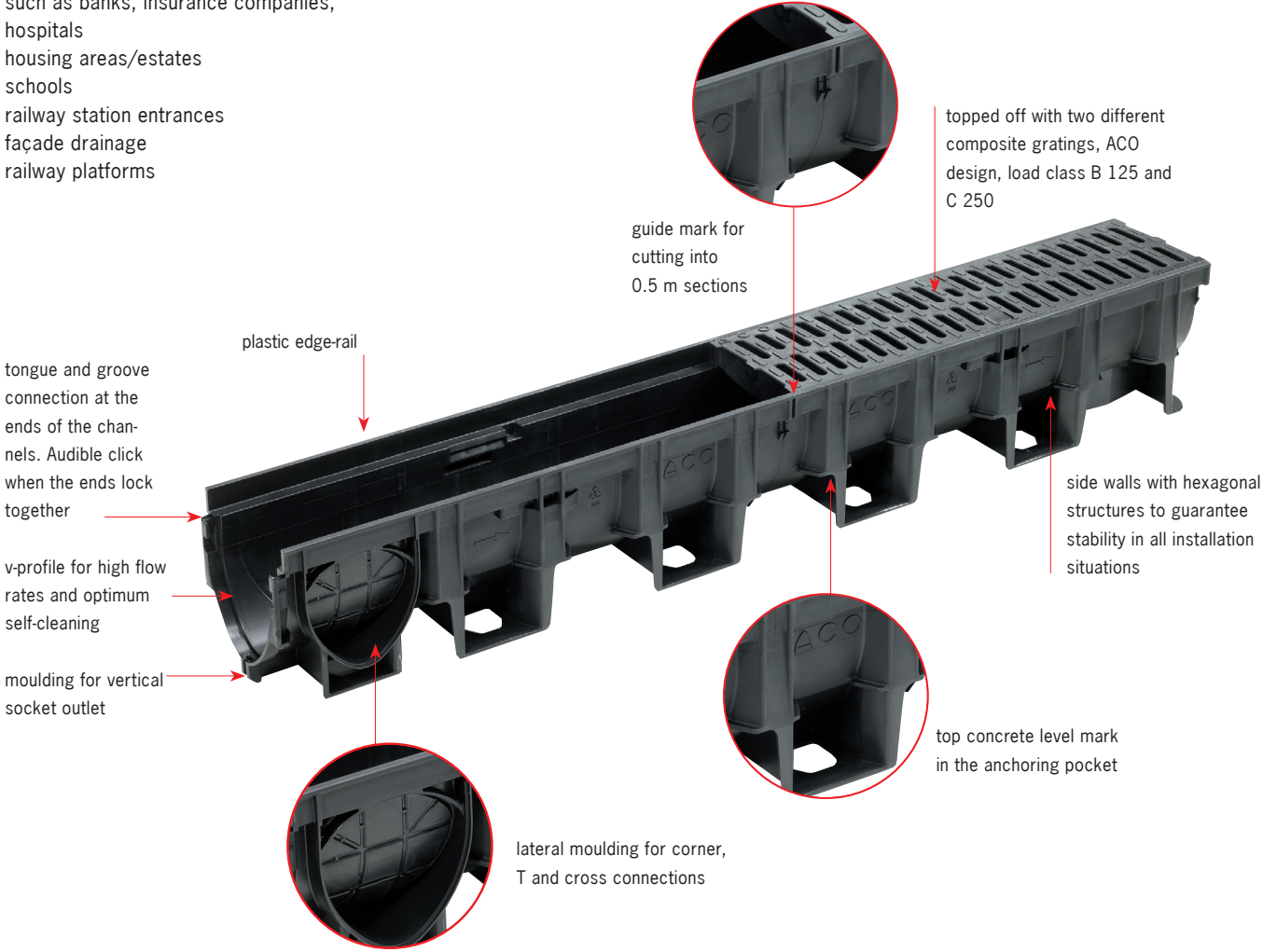
ACO XtraDrain system also has a range of Brickslot gratings to complement installations which require a discreet drainage system. ACO Brickslot gratings are available in galvanised or stainless steel and are suitable for use with the 100 mm and 150 mm wide channels in the ACO XtraDrain range.



Typical Applications

- Footpaths, pedestrian areas
- pedestrian precincts
- public and private car parking spaces
- open spaces around business premises such as banks, insurance companies, hospitals
- housing areas/estates
- schools
- railway station entrances
- façade drainage
- railway platforms

ACO Xtradrain



ACO Hexadrain

