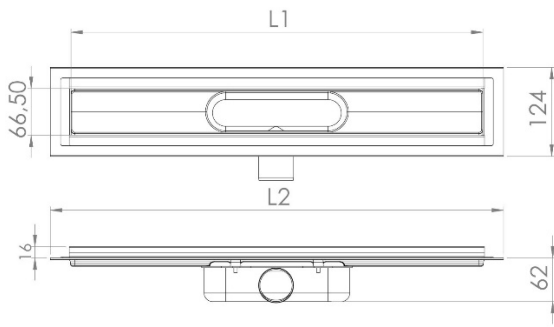


**Product Information**

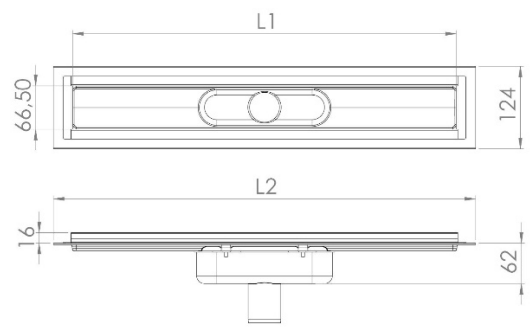
- Single piece stainless steel body, made of stainless steel grade 304
- Sanded surrounding thin-bed flange
- Minimum installation height = 62mm
- Total height with frame = 78mm
- Visible channel width = 66,5mm
- Total width including surrounding flange = 124mm
- Easy-to-clean foul air trap (25mm)
- Outlet DN50 suitable for all push-fit pipe socket connections
- Grating Options: Fixed height – To be ordered separately

	Article No	L1 [mm]	L2 [mm]	Unit Weight [kg]	Pieces/ packaging
<b>Horizontal Outlet DN50</b>					
	M.90.S2A.028	303	360	0,98	126
	M.90.S2A.029	588	645	1,63	68
	M.90.S2A.030	788	845	1,98	40
<b>Vertical Outlet DN50</b>					
	M.90.S2A.031	303	360	1,20	96
	M.90.S2A.032	588	645	1,87	42
	M.90.S2A.033	788	845	2,13	42
<b>Horizontal Outlet DN50 with Wall Flange</b>					
	M.90.S2A.048	303	360	1,14	126
	M.90.S2A.049	588	645	1,83	68
	M.90.S2A.050	788	845	2,24	40
<b>Vertical Outlet DN50 with Wall Flange</b>					
	M.90.S2A.051	303	360	1,20	96
	M.90.S2A.035	588	645	2,02	42
	M.90.S2A.037	788	845	2,44	42

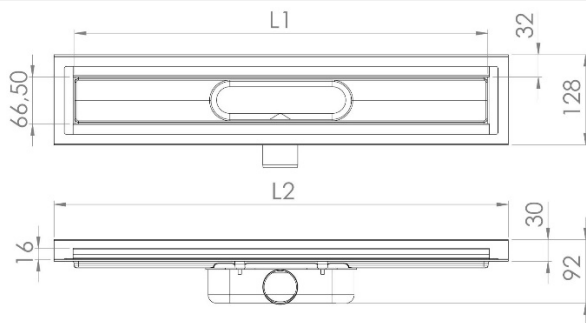
**Horizontal Outlet DN50**



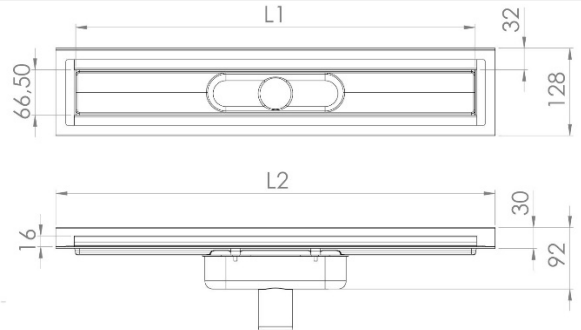
**Vertical Outlet DN50**



**Horizontal Outlet DN50 with Wall Flange**



**Vertical Outlet DN50 with Wall Flange**

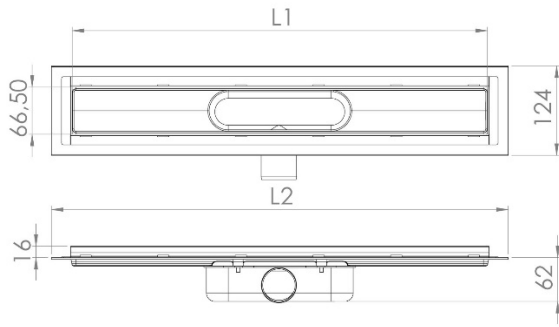


**Product Information**

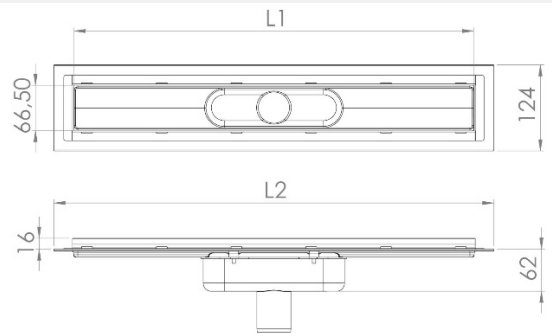
- Single piece stainless steel body, made of stainless steel grade 304
- Sanded surrounding thin-bed flange
- Perforated fixed frame providing secondary drainage
- Minimum installation height = 62mm
- Total height with frame = 78mm
- Visible channel width = 66,5mm
- Total width including surrounding flange = 124mm
- Easy-to-clean foul air trap (25mm)
- Outlet DN50 suitable for all push-fit pipe socket connections
- Grating Options: Fixed height– To be ordered separately

	Article No	L1 [mm]	L2 [mm]	Unit Weight [kg]	Pieces/ packaging
<b>Horizontal Outlet DN50</b>					
	M.90.S2A.001	303	360	0,97	126
	M.90.S2A.002	588	645	1,61	68
	M.90.S2A.003	788	845	1,95	40
<b>Vertical Outlet DN50</b>					
	M.90.S2A.004	303	360	1,20	96
	M.90.S2A.005	588	645	1,86	42
	M.90.S2A.006	788	845	2,10	42
<b>Horizontal Outlet DN50 with Wall Flange</b>					
	M.90.S2A.044	303	360	1,13	126
	M.90.S2A.045	588	645	1,83	68
	M.90.S2A.046	788	845	2,25	40
<b>Vertical Outlet DN50 with Wall Flange</b>					
	M.90.S2A.047	303	360	1,20	96
	M.90.S2A.034	588	645	2,00	42
	M.90.S2A.036	788	845	2,43	42

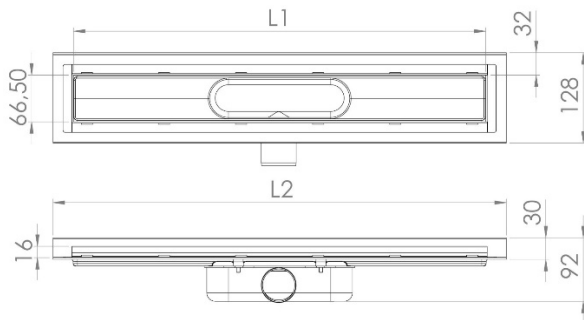
**Horizontal Outlet DN50**



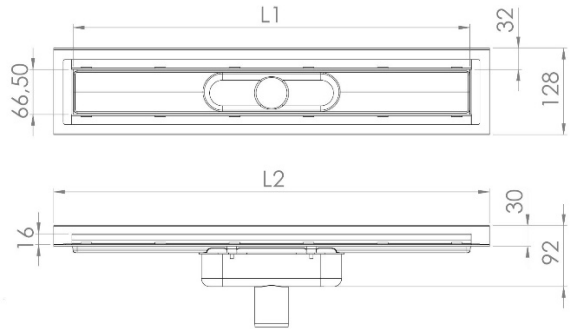
**Vertical Outlet DN50**



**Horizontal Outlet DN50 with Wall Flange**









**Vertical Outlet DN50 with Wall Flange**



**Product Information**

- Designer gratings made of stainless steel grade 304
- 6 different design options with brushed surface
- Grating width = 64mm
- Easy to move and clean grating system helps to create hygienic bathrooms

	Article No	Length [mm]	Unit Weight [kg]	Pieces/ packaging
<b>Quadrato</b>				
	M.90.S2A.016	300	0,36	410
	M.90.S2A.017	585	0,66	300
	M.90.S2A.018	785	0,84	220
<b>Vertical Slot</b>				
	M.90.S2A.022	300	0,36	410
	M.90.S2A.023	585	0,66	300
	M.90.S2A.024	785	0,84	220
<b>Horizontal Slot</b>				
	M.90.S2A.007	300	0,36	410
	M.90.S2A.008	585	0,67	300
	M.90.S2A.009	785	0,87	220
<b>Mix</b>				
	M.90.S2A.019	300	0,36	410
	M.90.S2A.020	585	0,69	300
	M.90.S2A.021	785	0,88	220
<b>Solid</b>				
	M.90.S2A.010	300	0,32	410
	M.90.S2A.011	585	0,58	300
	M.90.S2A.012	785	0,74	220
<b>Tile</b>				
	M.90.S2A.013	300	0,42	410
	M.90.S2A.014	585	0,70	300
	M.90.S2A.015	785	0,87	220