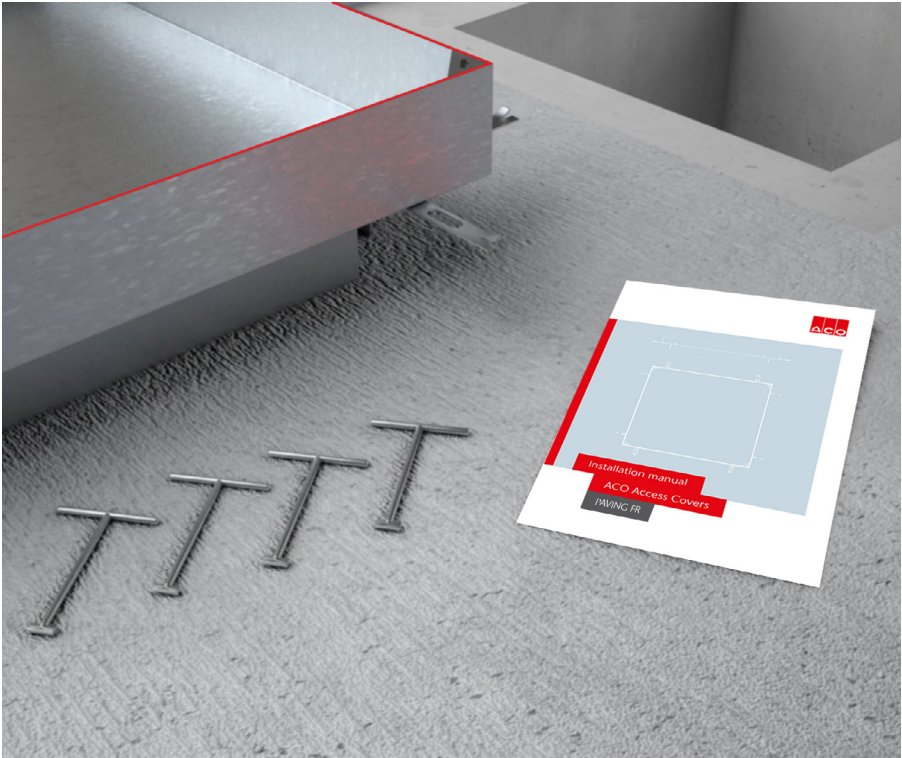
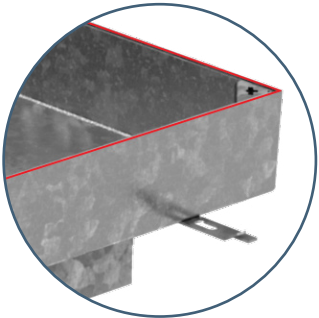
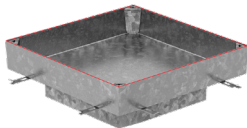


Installation manual

ACO Access Covers

PAVING FR

- | | | | |
|------------|--|------------|--|
| ENG | Installation Manual
ACO Access Cover | EST | Paigaldusjuhend |
| GER | Installationsanleitung
ACO Schachtabdeckungen | LAV | Uzstādīšanas instrukcija
ACO Tehnisko lūku vāki |
| FRA | Instructions d´installation | LIT | Montavimo instrukcija
ACO apžiūros liukai |
| ESP | Manual De Instalación
ACO Tapas de registro | POL | Instrukcja montażu |
| POR | Manual de Instalação | BUL | Инструкции за инсталация |
| ITA | Manuale d´installazione
ACO Access Cover | HUN | Beépítési útmutató |
| NLD | Installatiehandleiding
ACO Toegangsluiken | RUM | Instructiuni de instalare |
| CZE | Instalační manuál | HRV | Upute za ugradnju |
| RUS | Инструкция По Установке | SLV | Navodila za vgradnjo |
| SWE | Installationsanvisning | SRP | Preporuka za ugradnju |
| NOR | Installasjons Manual | TUR | ACO Müdahale Kapakları |
| FIN | Asennusohje | | |
| DAN | Installationsvejledning | | |



ACO Access Covers PAVING GS 80/FR

Order information

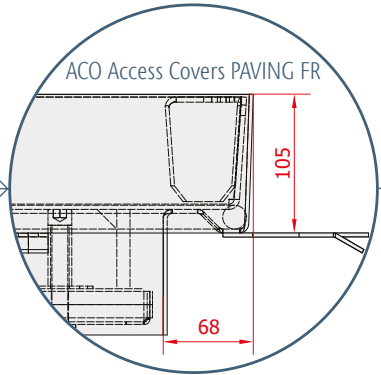
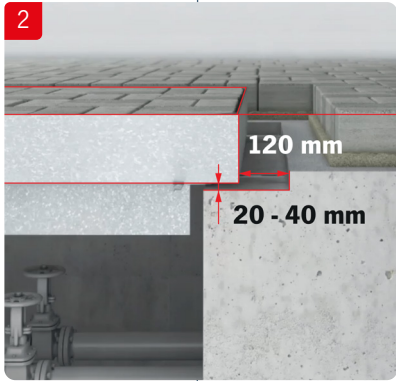
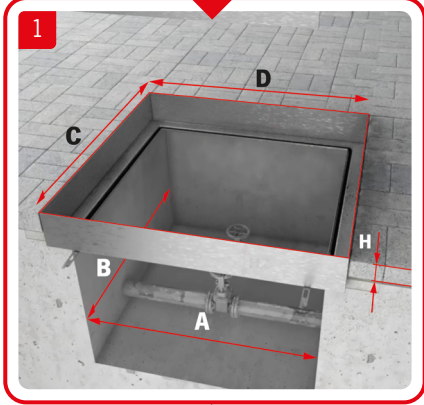
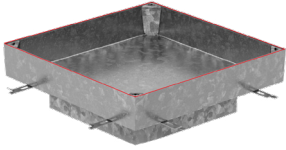
Clear opening (A x B)	External dimensions (C x D)	Frame height	Cover depth	Load class (EN 124)	Weight	El	Part No.
[mm]	[mm]	[mm]	[mm]		[kg]		
300 x 300	436 x 436	104	80	A15	18,0	EI45	447991
400 x 400	536 x 536	104	80	A15	24,6	EI45	447992
500 x 500	636 x 636	104	80	A15	31,5	EI45	447993
600 x 600	736 x 736	104	80	A15	32,2	EI45	447994
400 x 600	536 x 736	104	80	A15	40,5	EI45	447995
300 x 300	436 x 436	104	80	B125	23,6	EI45	448002
400 x 400	536 x 536	104	80	B125	33,9	EI45	448003
500 x 500	636 x 636	104	80	B125	43,1	EI45	448004
600 x 600	736 x 736	104	80	B125	53,0	EI45	448005
400 x 600	536 x 736	104	80	B125	42,5	EI45	448010
300 x 300	436 x 436	104	80	C250	29,7	EI45	448012
400 x 400	536 x 536	104	80	C250	48,7	EI45	448013
500 x 500	636 x 636	104	80	C250	65,0	EI45	448014
600 x 600	736 x 736	104	80	C250	78,4	EI45	448015
400 x 600	536 x 736	104	80	C250	62,2	EI45	448020
400 x 400	536 x 536	104	80	D400	47,3	EI45	448022
500 x 500	636 x 636	104	80	D400	66,6	EI45	448023
600 x 600	736 x 736	104	80	D400	88,9	EI45	448024

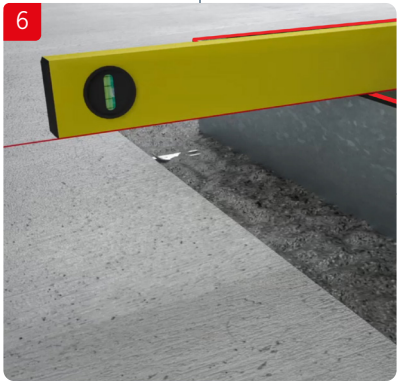
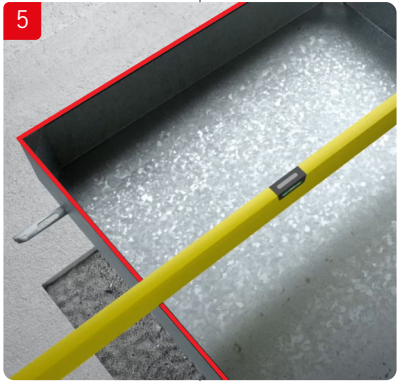
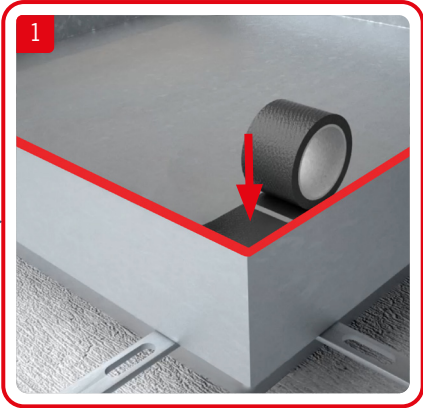
ACO Access Covers PAVING GS 120/FR

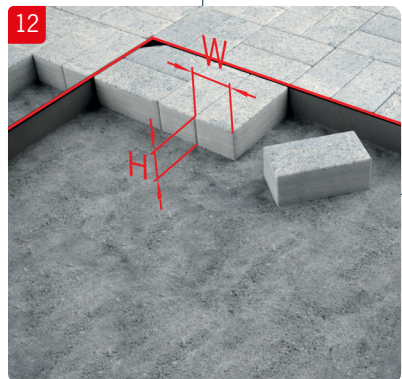
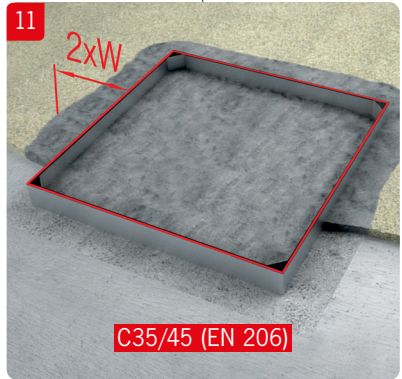
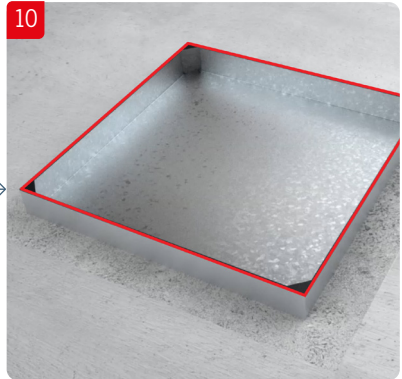
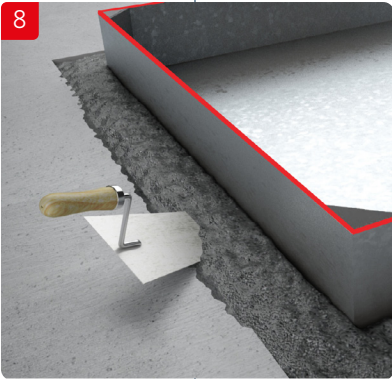
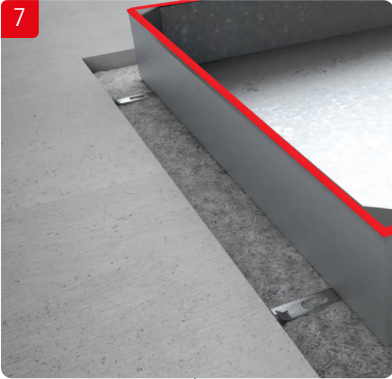
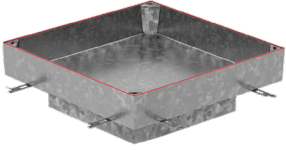
Order information

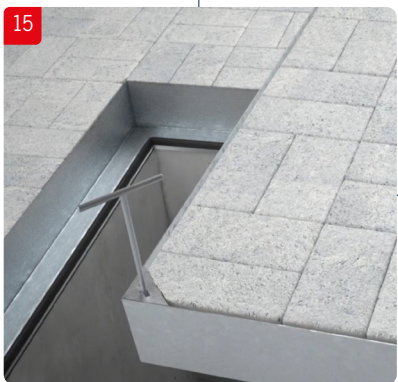
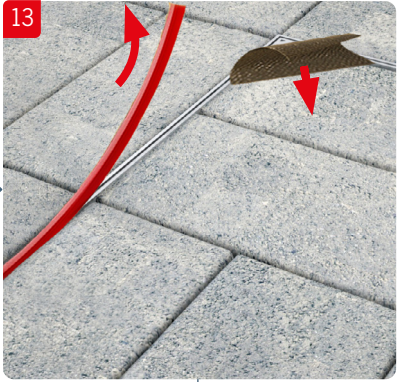
Clear opening (A x B)	External dimensions (C x D)	Frame height	Cover depth	Load class (EN 124)	Weight	EI	Part No.
[mm]	[mm]	[mm]	[mm]		[kg]		
300 x 300	439 x 439	144	120	B125	27,6	EI45	448029
400 x 400	539 x 539	144	120	B125	38,7	EI45	448030
500 x 500	639 x 639	144	120	B125	48,8	EI45	448031
600 x 600	739 x 739	144	120	B125	59,5	EI45	448032
300 x 300	439 x 439	144	120	C250	34,1	EI45	448037
400 x 400	539 x 539	144	120	C250	54,1	EI45	448038
500 x 500	639 x 639	144	120	C250	71,3	EI45	448039
600 x 600	739 x 739	144	120	C250	85,7	EI45	448040
400 x 600	539 x 739	144	120	B125	48,2	EI45	448045
400 x 600	539 x 739	144	120	C250	68,7	EI45	448047
400 x 400	539 x 539	144	120	D400	53,4	EI45	448049
500 x 500	639 x 639	144	120	D400	73,9	EI45	448050
600 x 600	739 x 739	144	120	D400	97,3	EI45	448051

Installation manual
ACO Access Cover PAVING FR









ACO. we care for water



Every ACO product supports
the ACO WaterCycle



-
- ACO Access Covers UNIFACE
Fire Resistance (FR)
 - ACO Access Covers PAVING
Fire Resistance (FR)
 - ACO Access Covers SOLID
Fire Resistance (FR)
 - ACO Access Covers SERVOKAT GD
Fire Resistance (FR)
-



ACO Industries k.s.

Havlickova 260
582 22 Pribyslav
Czech Republic

www.aco-accesscovers.com

NM12382 ACO Access Covers PAVING FR Manual/EN/IQ2/I23